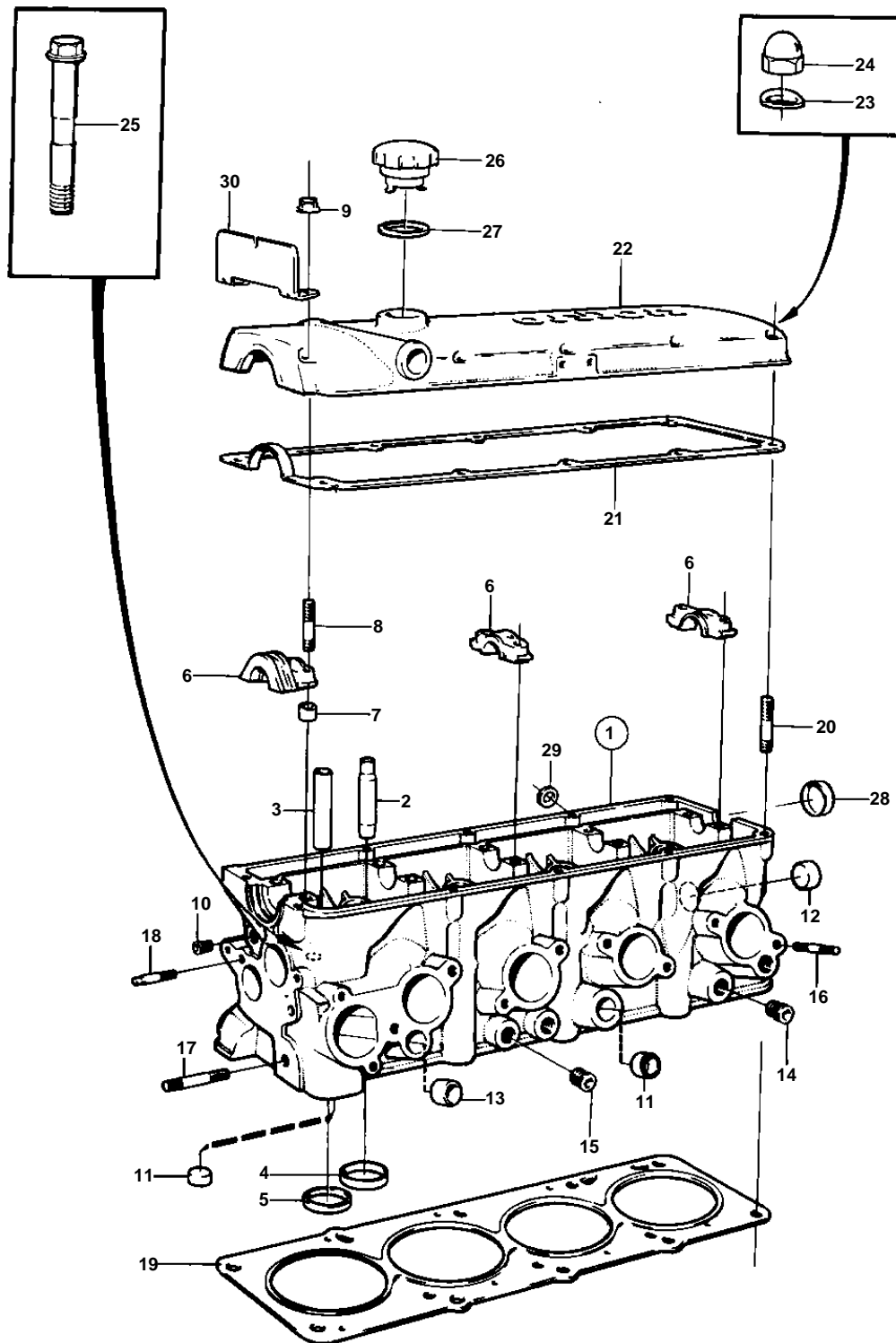


250A,250B



10030

250A,250B

REF	PART NO.	QTY	DESCRIPTION	SEE SEC.	NOTES
1	1346408	1	Cylinder head		
2	419652	4	• Valve guide, INTAKE	02A-0750	
3	463771	4	• Valve guide, EXHAUST	02A-0750	
4		4	• VALVE SEAT INTAKE		STD
	1266418	4	• Seat ring		OVER SIZE 0,50 MM
5		4	• VALVESEAT EXHAUST		STD
	1266421	4	• Seat ring		OVER SIZE 0,50 MM
6		5	• BEARING CAP	02A-0750	
7	463690	10	• Guide sleeve	02A-0750	
8	953049	10	• Stud		
9	968862	10	• Nut		(945408)
10	940375	2	• Plug		
11	946779	2	• Cap plug		
12	946780	4	• Cap plug		
13	946778	1	• Cap plug		
14	968145	1	• Plug		
15	968145	1	Plug		
16	953046	6	Stud		
17	953077	1	Stud	02A-0960	
18	463390	1	Stud	02A-0960	
19	1378646	1	Gasket	IK	
20	953035	10	Stud		
21	1378870	1	Gasket	IK	
22	1336754	1	Valve cover		SN-2200103569
	3514361	1	Valve cover		SN 2200103570-
			Bulletin 41-12	41-12-EN	Valve cover 230B and 250B
23	941906	2	Spring washer		
24	968458	10	Nut		
25	1306341	10	Screw		
26	3547599	1	Oil filler cap		(1378985)
27	940096	1	Gasket	IK	
28	1336763	1	Cover		
29	855583	1	Ring		
30	855731	1	Belt protector		