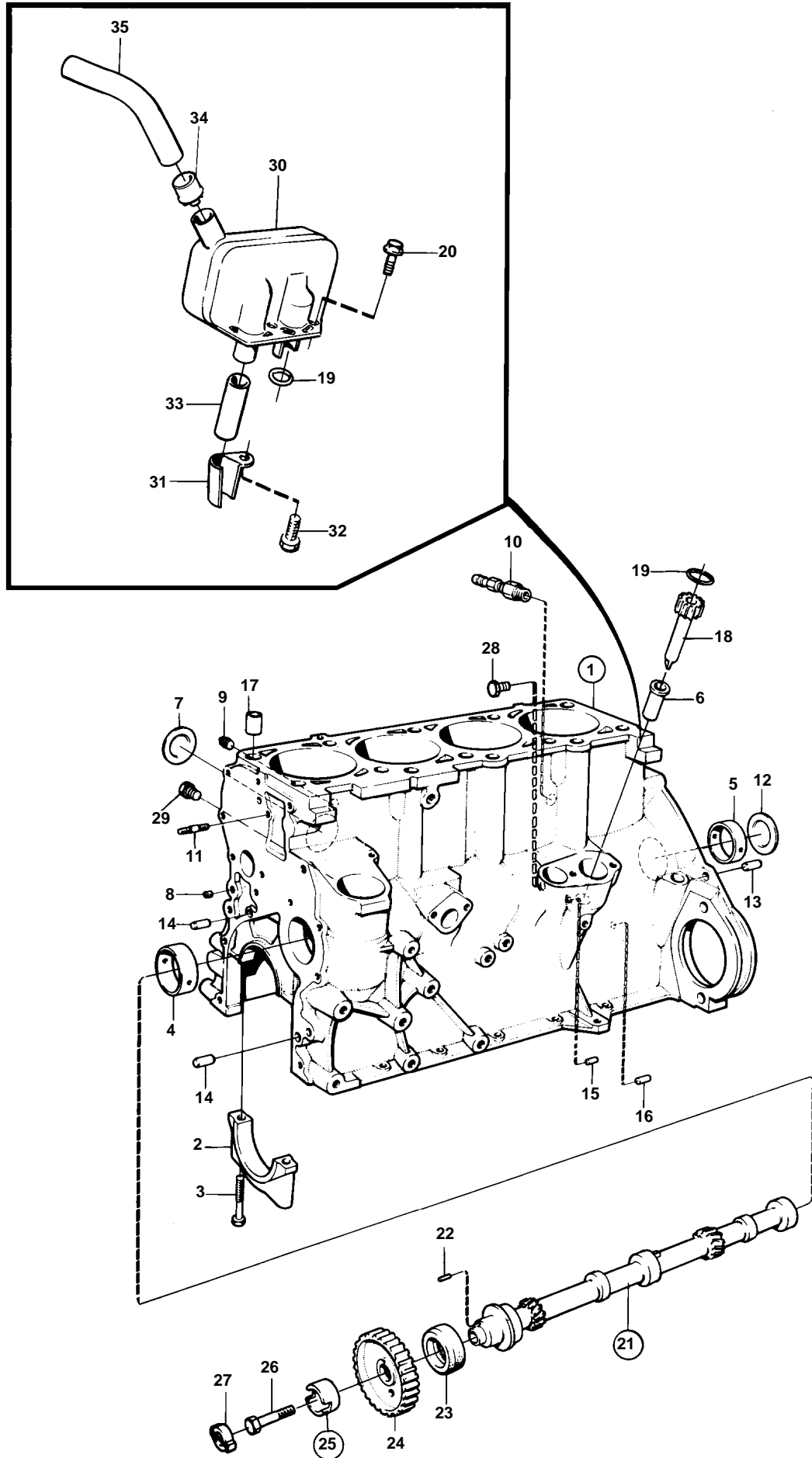


230A/SP-A/MT,230A,230B



11037

230A/SP-A/MT,230A,230B

REF	PART NO.	QTY	DESCRIPTION	SEE SEC.	NOTES
1		1	CYLINDER BLOCK		SEE GROUP 10A. CYLINDERBLOCK IS ONLY INCLUDED IN SHORT-BLOCK 876141.
2		5	• BEARING CAP		
3	945799	10	• Screw		
4	463360	1	• Bushing		
5	463361	2	• Bushing		
6	463362	1	• Bushing		
7	1542263	8	• Expansion plug		SN-2200023213
8	968144	3	Plug		
9	968145	1	Plug		
10	947894	1	Drain cock		
11	924055	2	Stud		
12	463905	1	Expansion plug		
13	19730	2	Locating pin		
14	950565	1	Pin		L = 22 MM
	950562	1	Pin		L = 16 MM
15	950586	1	Pin		
16	950542	1	Pin		
17	415311	2	Sleeve		
18	463365	1	Shaft	02A-1405	
19	925065	1	O-ring	IK	
20	968885	2	Screw		
21	463581	1	Countershaft		
22	3514444	1	• Spring pin		
23	6842273	1	Sealing ring	IK	(1306333) *
				02A-0955	
24	856239	1	Wheel		(831972)
25	856766	1	Companion flange		
26	955322	1	Screw		
27	831009	1	Cross piece		
28	960630	1	Plug		
29	191026	1	Plug		
30	1306398	1	Oil trap		
31	1306981	1	Hose support		
32	968885	1	Screw		
33	1306196	1	Hose		
34	419771	1	Flame trap		
35	948553	X	Hose		L = 380 MM