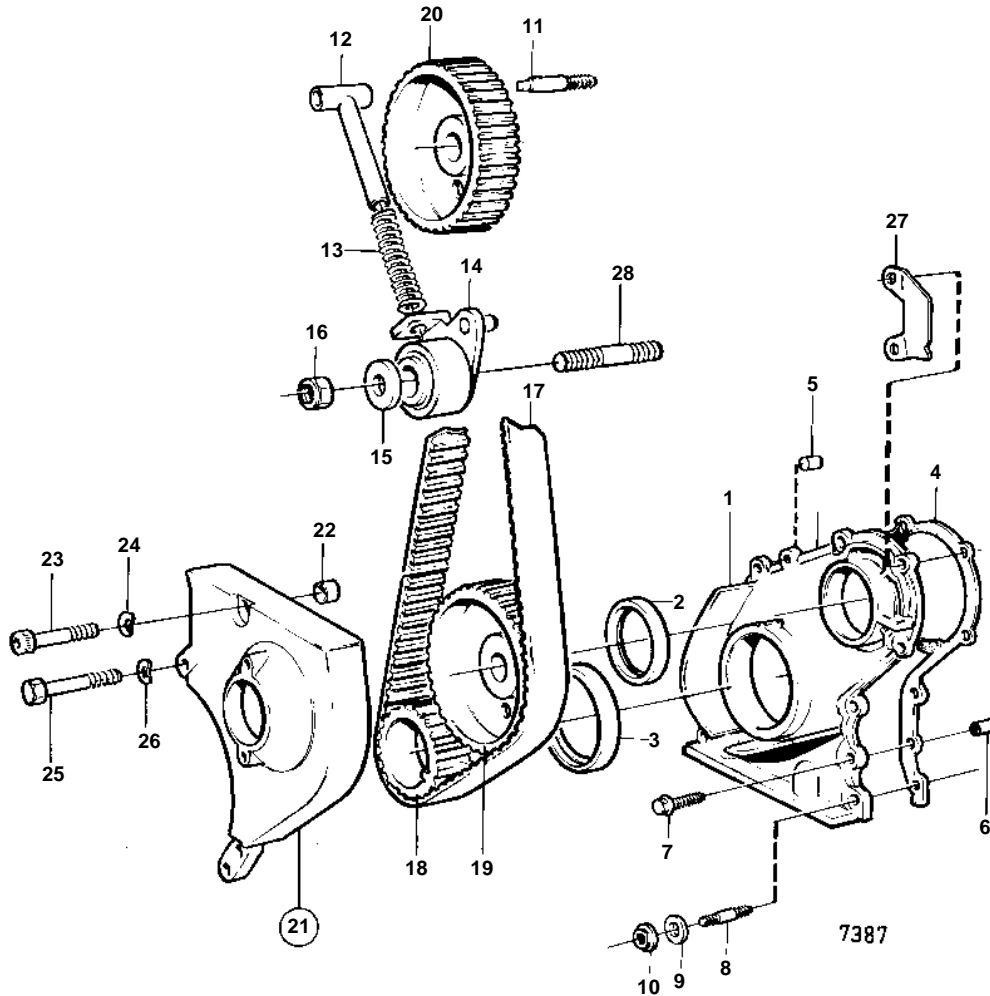


230A/SP-A/MT,230A,230B



230A/SP-A/MT,230A,230B

REF	PART NO.	QTY	DESCRIPTION		SEE SEC.	NOTES
1	1336761	1	Sealing flange			(1276155)
2	6842273	1	Sealing ring	IK		(1306333) *
					02A-0205	
3	1276424	1	Sealing ring	IK	02A-0505	
4	1378493	1	Gasket	IK		(1276817)
5	950562	1	Pin			
6	950565	1	Pin			
7	946544	6	Flange screw			
8	924055	2	Stud			
9	955892	2	Washer			
10	945407	2	Flange nut			
11	463390	1	Stud		02A-0175	
12	463386	1	Spring guide			
13	463389	1	Spring			
14	831986	1	Tension pulley			
15	463580	1	Washer			
16	955783	1	Nut			
17	463377	1	Tooth belt			
18	855428	1	Wheel		02A-0505	
19	856239	1	Wheel, WHEEL WHEEL		02A-0505	
20	856239	1	Wheel			
21	855504	1	Bracket			SEE GROUP 2B
22	828035	1	· Bushing			SEE GROUP 2B
23	959231	2	Screw			SEE GROUP 2B
24	941907	2	Spring washer			SEE GROUP 2B
25	968877	1	Screw			SEE GROUP 2B
26	941906	1	Spring washer			SEE GROUP 2B
27	834485	1	Indicator			
28	953077	1	Stud		02A-0175	