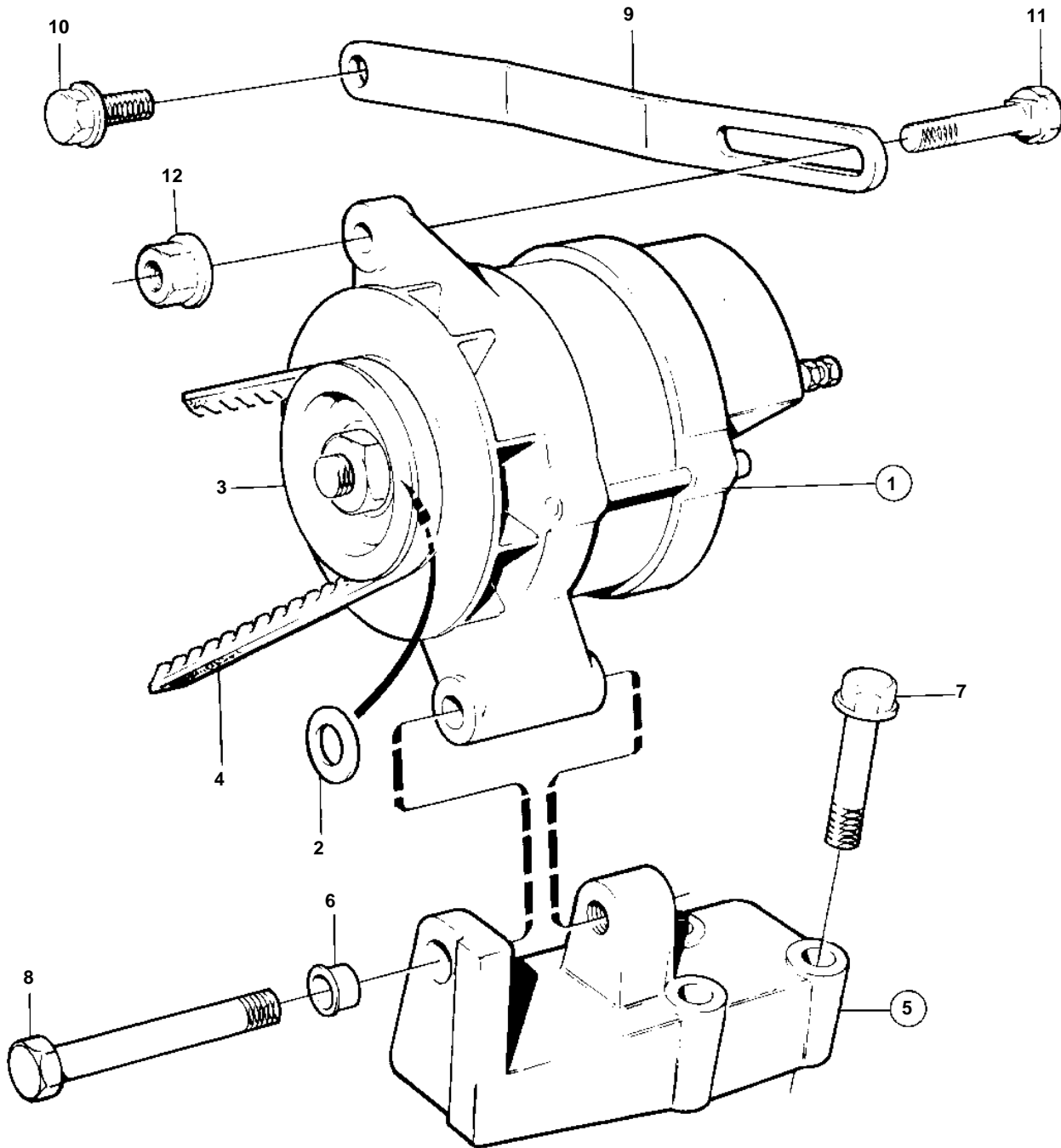


230A/SP-A/MT,230A,230B



10119

230A/SP-A/MT,230A,230B

REF	PART NO.	QTY	DESCRIPTION	SEE SEC.	NOTES
1	858839	1	Alternator		FOR 12 VOLTAGE ELECTRIC SYSTEM. REPL BY 858838
				030-1155	
	858838	1	Alternator		14V 50A. FOR 12 VOLTAGE ELECTRIC SYSTEM.. ALSO AVAILABLE AS AN EXCHANGE PART. REPL BY 872018
				030-1200	
	872018	1	Alternator		14V 50A. FOR 12 VOLTAGE ELECTRIC SYSTEM.. ALSO AVAILABLE AS AN EXCHANGE PART. REPL BY 872926
				030-1200	
	872926	1	Alternator		14V 50A. FOR 12 VOLTAGE ELECTRIC SYSTEM.. ALSO AVAILABLE AS AN EXCHANGE PART.
				030-1300	
2	48326	1	Shim		
3	841811	1	Pulley		
4	966694	1	V-belt		
5	831763	1	Bracket		
6	831920	1	Bushing		
7	968891	3	Screw		
8	955700	1	Screw		
9	855669	1	Tensioner		
10	968894	1	Screw		
11	968322	1	Screw		
12	968862	1	Nut		