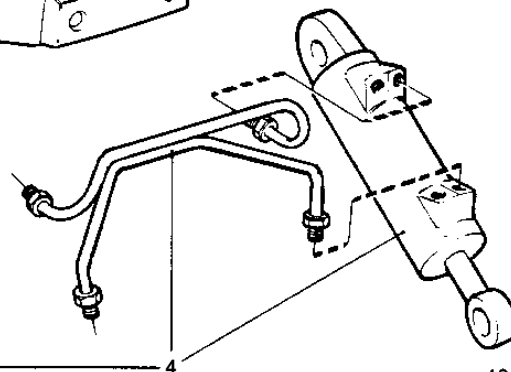
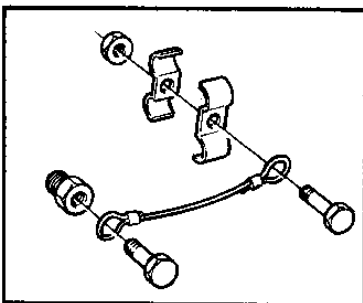
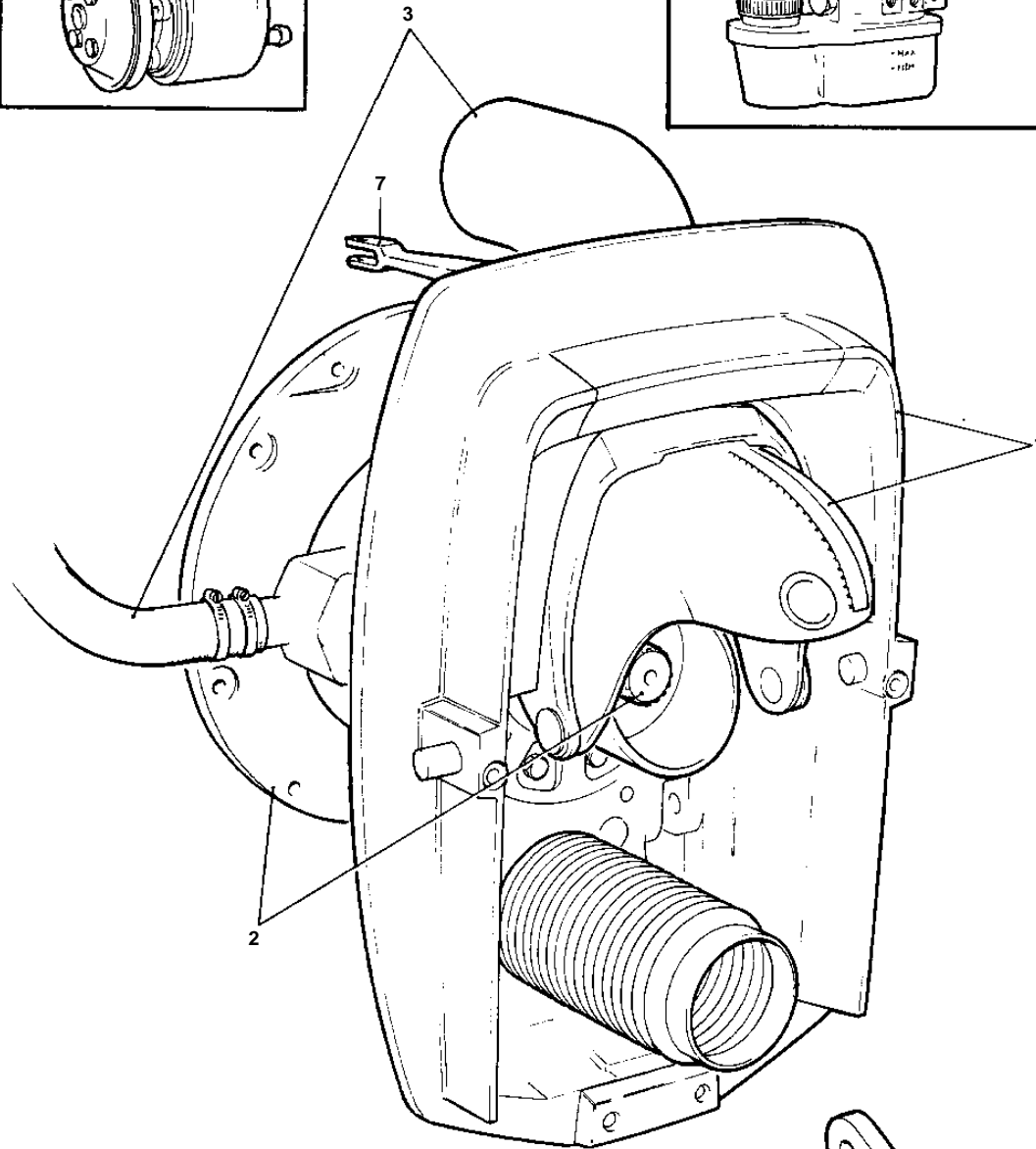
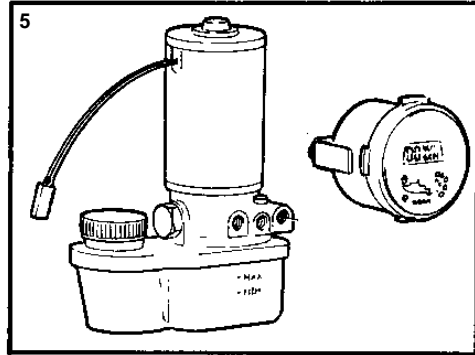
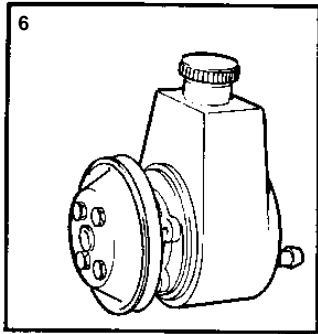


230B,250B



10676

230B,250B

REF	DESCRIPTION	SEE SEC.	NOTES
1	SHIELD WITH MOUNTING COMPONENTS	04A-2100	
2	PRIMARY SHAFT AND CLAMP RING KIT	04A-2200	
3	EXHAUST PIPE AND COOLING WATER PIPE	04A-2300	
4	HYDRAULIC CYLINDERS AND GROUND CABLE KIT	04A-2400	
5	HYDRAULIC PUMP AND TRIM INSTRUMENT WITH INSTALLATION COMPONENTS	04A-2500	
6	POWER STEERING		SEE GROUP 6
7	INSTALLATION KIT FOR STEERING CABLE WITHOUT POWER STEERING		
			SEE GROUP 6