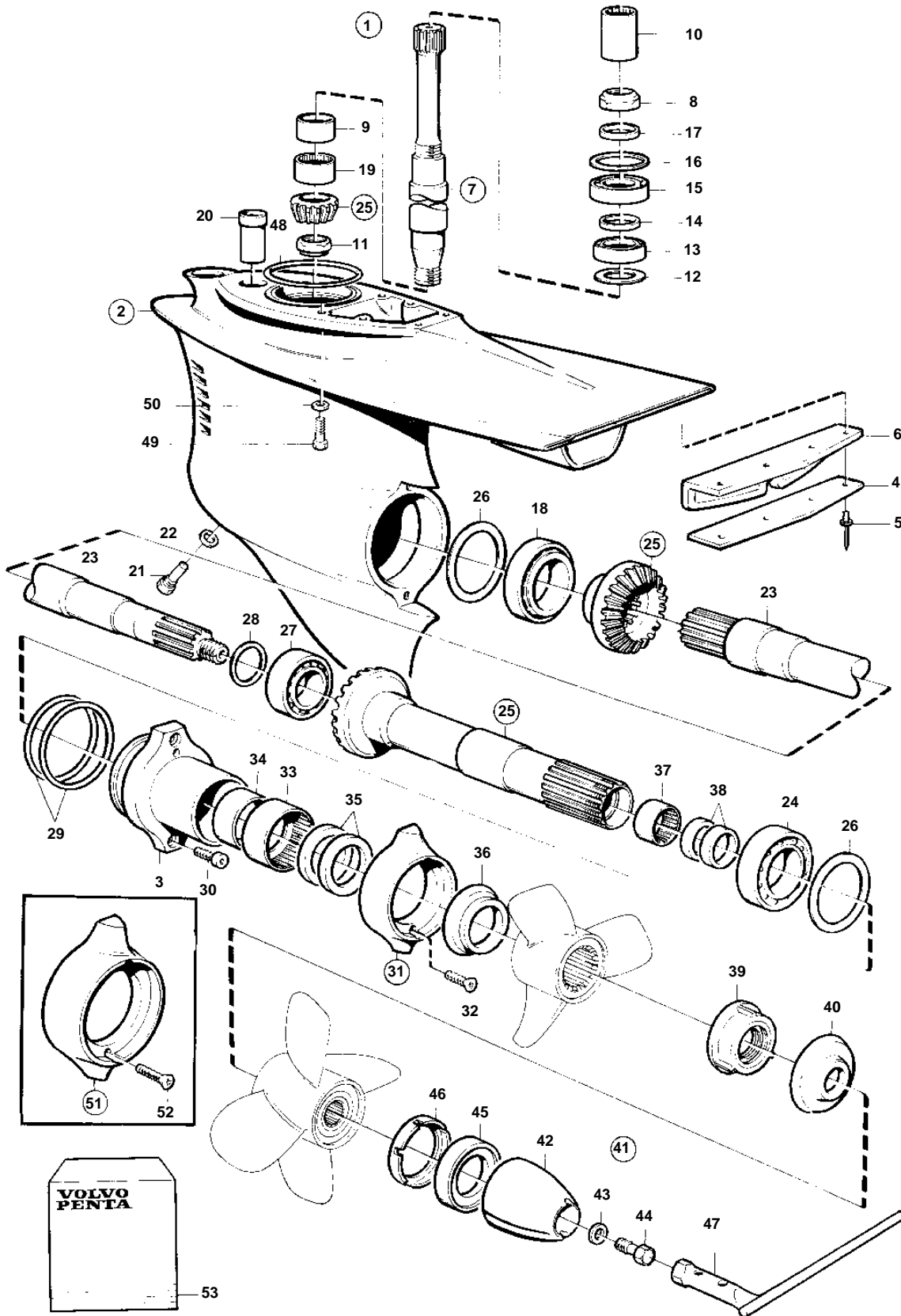


DP-D1



15162

DP-D1

REF	PART NO.	QTY	DESCRIPTION	SEE SEC.	NOTES
1	872768	1	Gear under		RATIO 1.95:1
	3803187	1	Gear under, exchange		Exchange unit
2	872307	1	· Gear housing		
3	854053	1	· · Bearing housing		
4	872439	1	· · Attaching plate		
5	977711	4	· · Pop rivet		
6	872438	1	· · Check valve		
7	854611	1	· Intermedi.shaft kit		
8	969071	1	· · Round nut		Included in gasket kit.
9	184682	1	· · Inner ring		
10	854553	1	· · Splined sleeve		
			· · Bulletin P-44-1-6	P-44-1-6-EN	Lower Gear Unit
11	852212	1	· Nut		Included in gasket kit.
12	941832	X	· Shim		TH=0,05mm
	941833	X	· Shim		TH=0,20mm
13	183374	1	· Ball bearing		
14	944970	X	· Shim		
15	11072	1	· Roller bearing		
16	944522	X	· Shim		TH=0,05mm
	42981	X	· Shim		TH = 0,10mm
	968057	X	· Shim		TH=0,20mm
	42980	X	· Shim		TH=0.35mm
17	897387	1	· Spacer ring		
18	11044	1	· Bearing		
19	184654	1	· Needle bearing		
20	814482	1	· Oil pump screen		
21		1	· Adjuster screw		
22	955974	1	· O-ring		Included in gasket kit.
23	872533	1	· Driveshaft		
24	184765	1	· Roller bearing		
25	852174	1	· Gear set		RATIO 1.95:1
26	967352	X	· Shim		TH = 0.05mm
	941823	X	· Shim		TH = 0.10mm
	967351	X	· Shim		TH = 0.15mm
	941824	X	· Shim		TH = 0.20mm
	941825	X	· Shim		TH = 0.40mm
27	184691	1	· Bearing		
28	191834	X	· Shim		TH = 0,10mm
	191835	X	· Shim		TH = 0.15mm
	191837	X	· Shim		TH = 0,25mm
29	925258	2	· O-ring		Included in gasket kit.
30	941812	2	· Screw		
31	875821	1	· Zinc ring kit		
32	966808	2	· · Screw		
33	183859	1	· Needle bearing		
34	184683	1	· Inner ring		
35	851407	2	· Sealing ring		Included in gasket kit.
36	872871	1	· Line cutter		FRONT
37	183272	1	· Needle bearing		
38	853871	1	· Sealing ring kit		Included in gasket kit.
39	3851334	1	· Propeller nut		(873049)
40	872872	1	· Line cutter		REAR
41	872549	1	· Propeller cone kit		
42	872547	1	· · Propeller cone		
43	943194	1	· · Washer		
44	872546	1	· · Lock screw		M12
45	853676	1	· · Spacer ring		
46	854294	1	· · Plastic washer		
47	873058	1	· Tool kit		
48	925256	1	O-ring		Included in gasket kit.. Included in complete drive.
49	941810	4	Screw		Included in complete drive.
50	853095	4	Washer		Included in complete drive.
51	876138	1	Magnesium kit		To be used in fresh-water.

7746620 - 44 - 1764

15162

Upd: 09 FEB 2006

TMD41D, TAMD41D, D41D, AD41D

**VOLVO**  
**PENTA**

DP-D1

REF	PART NO.	QTY	DESCRIPTION	SEE SEC.	NOTES
52	966808	2	· Screw		
53	876267	1	Gasket kit, lower gear		SEE GROUP 99