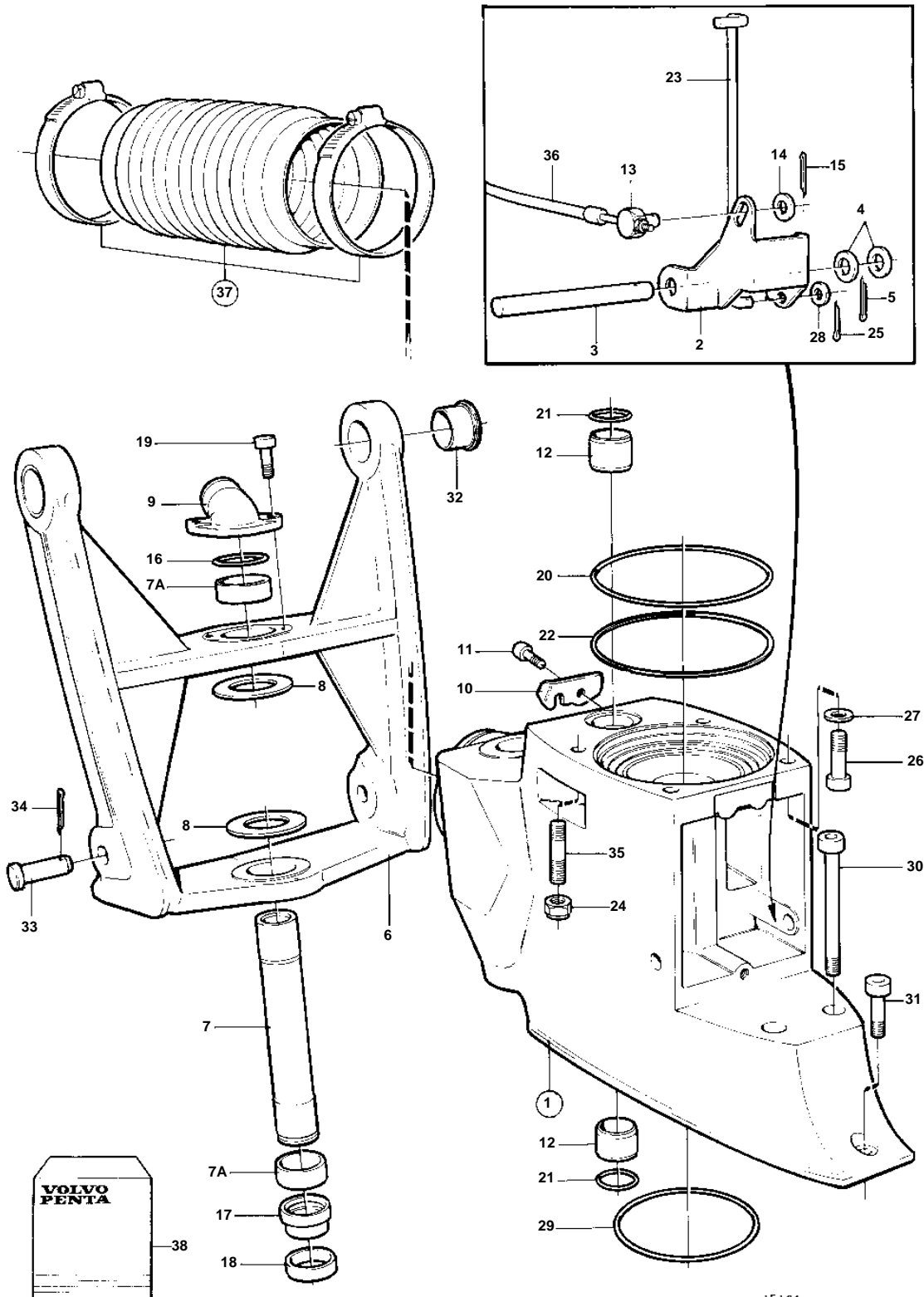


DP-D1



## DP-D1

REF	PART NO.	QTY	DESCRIPTION	SEE SEC.	NOTES
1	872850	1	Intermediate housing		
2	872977	1	• Gear yoke		
3	897447	1	• Shaft		
4	897511	2	• Washer		
5	17253	1	• Cotter pin		Included in gasket kit.
6	872853	1	Suspension fork		
7	872753	1	Steering knuckle		
7A	872756	2	Bearing bushing		
8	872754	2	Thrust washer		
9	872752	1	Hose connection		
10	872940	1	Cable attachment		
11	940168	1	Screw		
12	872986	2	Sleeve		
13	804312	1	Cube		
14	940191	1	Washer		
15	17276	1	Cotter pin		Included in gasket kit.
16	979254	1	O-ring		
17	872792	1	Retainer		
18	872755	1	Seal		Included in gasket kit.
19	940169	2	Screw		
20	925259	1	O-ring		Included in gasket kit.
21	125017	2	O-ring		Included in gasket kit.
22	941826	X	Shim		TH=0,05mm
	941827	X	Shim		TH=0,20mm
	948230	X	Shim		TH=0.35mm
23	872822	1	Control rod		
24	941885	2	Nut		
25	17253	1	Cotter pin		Included in gasket kit.
26	959456	2	Allen head screw		
27	853095	2	Washer		
28	940191	1	Washer		
29	925256	1	O-ring		Included in gasket kit.
30	941808	2	Screw		
31	941809	1	Screw		
32	876507	1	Bushing kit		Included in gasket kit.
33	872126	2	Clevis pin		
34	967707	2	Cotter pin		
35	977241	2	Stud		
36		1	Control cable	231	
37		1	Bellows kit	591	
38	876266	1	Gasket kit, upper gear		SEE GROUP 99
	876267	1	Gasket kit, lower gear		SEE GROUP 99