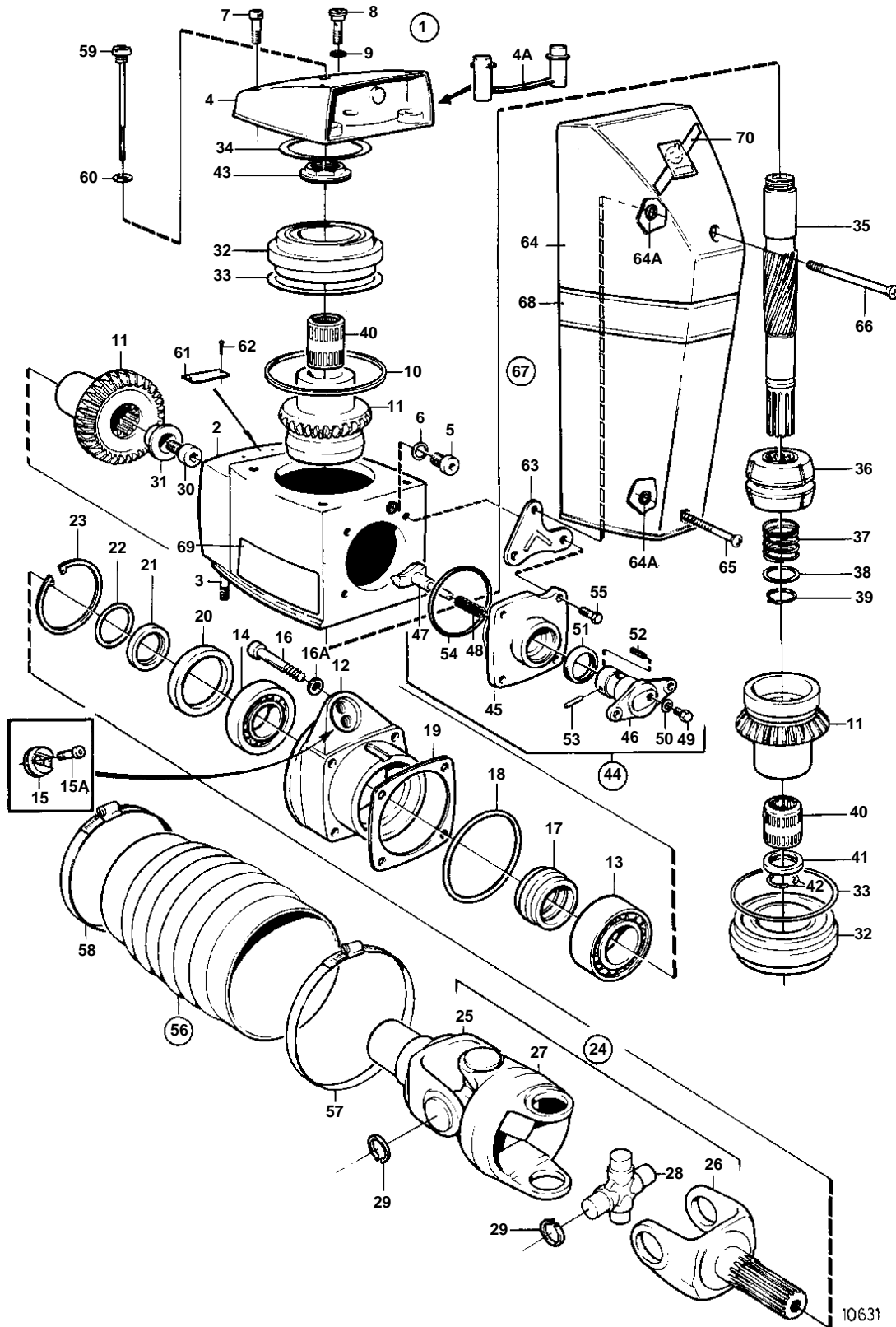


DRIVE SP-A2



DRIVE SP-A2

| REF | PART NO. | QTY | DESCRIPTION | SEE SEC. | NOTES |
|-----|----------|-----|--------------------------|-------------|--------------------------------------|
| 1 | 872013 | 1 | Upper gear unit | | ALSO AVAILABLE AS AN EXCHANGE PART. |
| 2 | 854571 | 1 | · Housing | | |
| 3 | 977241 | 2 | · Stud | | |
| 4 | 854677 | 1 | · Cover | | |
| 4A | 854198 | 1 | · Plastic plug | | |
| 5 | 814179 | 1 | · Plug | | |
| 6 | 897682 | 1 | · Gasket | IK | |
| 7 | 941807 | 3 | · Screw | | |
| 8 | 814643 | 1 | · Hollow screw | | |
| 9 | 955989 | 1 | · O-ring | IK | |
| 10 | 832669 | 1 | · Gasket | IK | |
| 11 | 853917 | 1 | · Gear set | | |
| 12 | 854025 | 1 | · Bearing box | | |
| 13 | 853949 | 1 | · Roller bearing | | |
| 14 | 183247 | 1 | · Bearing | | |
| 15 | 852705 | 1 | · Pivot pin | | |
| 15A | 941807 | 2 | · Screw | | |
| 16 | 956591 | 4 | · Screw | | |
| 16A | 942598 | 4 | · Washer | | |
| 17 | 853484 | 1 | · Pretensioning sleeve | | |
| 18 | 925095 | 1 | · O-ring | IK | |
| 19 | 853034 | X | · Adjusting washer | | TH = 0,10 MM |
| | 853035 | X | · Adjusting washer | | TH = 0,15 MM |
| | 853036 | X | · Adjusting washer | | TH = 0,35 MM |
| 20 | 839253 | 1 | · Sealing ring | IK | |
| 21 | 832675 | 1 | · Washer | | |
| 22 | 956000 | 1 | · O-ring | IK | |
| 23 | 914538 | 1 | · Lock ring | | |
| 24 | 872089 | 1 | · Universal joint | | REPL BY 854615 |
| | | | · Bulletin P-44-1-5 | P-44-1-5-EN | U-joints |
| 24 | 854615 | 1 | · Universal joint | | |
| | | | · Bulletin P-44-1-5 | P-44-1-5-EN | U-joints |
| 25 | 854616 | 1 | · · Fork | | |
| 26 | 854617 | 1 | · · Fork | | |
| 27 | 872088 | 1 | · · Intermediate section | | REPL BY 854618 |
| | 854618 | 1 | · · Intermediate section | | |
| 28 | 854619 | 2 | · · Spider | | |
| 29 | 24383 | 8 | · · Lock ring | | |
| 30 | 854201 | 1 | · Screw | | |
| 31 | 853026 | 1 | · Washer | | |
| 32 | 854670 | 2 | · Ball bearing | | |
| 33 | 943869 | X | · Adjusting washer | | TH = 0,05 MM |
| | 946179 | X | · Adjusting washer | | TH = 0,10 MM |
| | 943870 | X | · Adjusting washer | | TH = 0,20 MM |
| 34 | 941826 | X | · Adjusting washer | | TH = 0,05 MM |
| | 941827 | X | · Adjusting washer | | TH = 0,20 MM |
| | 948230 | X | · Shim | | TH = 0,35 MM |
| 35 | 853916 | 1 | · Shaft | | |
| 36 | 854222 | 1 | · Sliding sleeve | | |
| | | | · Bulletin P-44-1-8 | P-44-1-8-EN | Shift mechanism, shift cone and shoe |
| 37 | 813970 | 1 | · Spring | | |
| 38 | 854126 | 1 | · Washer | | |
| 39 | 951078 | 1 | · Snap ring | | |
| 40 | 853819 | 2 | · Needle bearing | | |
| 41 | 854192 | 1 | · Spacer ring | | |
| 42 | 853888 | 2 | · Lock ring | | |
| 43 | 854228 | 1 | · Nut | | 0 MM |
| | 854229 | 1 | · Nut | | 0,20 MM |
| | 854230 | 1 | · Nut | | 0,40 MM |
| | 854265 | 1 | | | 0,60 MM |
| 44 | 850309 | 1 | · Shift mechanism | | |
| 45 | 839505 | 1 | · · Bearing housing | | |
| 46 | 897816 | 1 | · · Eccentric piston | | |

DRIVE SP-A2

| REF | PART NO. | QTY | DESCRIPTION | SEE SEC. | NOTES |
|-----|----------|-----|-----------------------|-------------|---|
| | | | • • Bulletin P-44-1-7 | P-44-1-7-EN | Shift mechanism, eccentric piston |
| 47 | 839646 | 1 | • • Dog | | |
| 48 | 814184 | 1 | • • Spring | | |
| 49 | 897711 | 1 | • • Screw | | |
| 50 | 897871 | X | • • Adjusting washer | | |
| 51 | 853868 | 1 | • • Sealing ring | IK | |
| 52 | 951924 | 1 | • • Tensioning din | | |
| 53 | 942871 | 1 | • • Pin | | |
| 54 | 925093 | 1 | • • O-ring | IK | |
| 55 | 940169 | 4 | • Screw | | |
| 56 | 876294 | 1 | • Bellows kit | | |
| 57 | 853013 | 1 | • • Hose clamp | | |
| 58 | 853012 | 1 | • • Hose clamp | | |
| 59 | 839351 | 1 | • Oil dipstick | | |
| 60 | 955974 | 1 | • O-ring | | |
| 61 | 853706 | 1 | • Type plate | | |
| 62 | 804269 | 2 | • Drive screw | | |
| 63 | 854713 | 1 | • Mantle attachment | | |
| 64 | 854604 | 1 | Cover | | INCLUDED IN COMPLETE DRIVE UNIT |
| 64A | 925052 | 2 | Rubber ring | | INCLUDED IN COMPLETE DRIVE UNIT |
| 65 | 854661 | 1 | Screw | | INCLUDED IN COMPLETE DRIVE UNIT |
| 66 | 872027 | 1 | Cross recessed screw | | INCLUDED IN COMPLETE DRIVE UNIT |
| 67 | | 1 | DECAL SET | | |
| 68 | 854137 | 1 | • Decal | | INCLUDED IN COMPLETE DRIVE UNIT. REPLACED BY DECAL SET 876508. |
| 69 | 854140 | 1 | • Decal | | P. INCLUDED IN COMPLETE DRIVE UNIT. REPLACED BY DECAL SET 876508. |
| | 854141 | 1 | • Decal | | S.B. INCLUDED IN COMPLETE DRIVE UNIT. REPLACED BY DECAL SET 876508. |
| 70 | 854144 | 1 | Decal | | INCLUDED IN COMPLETE DRIVE UNIT |