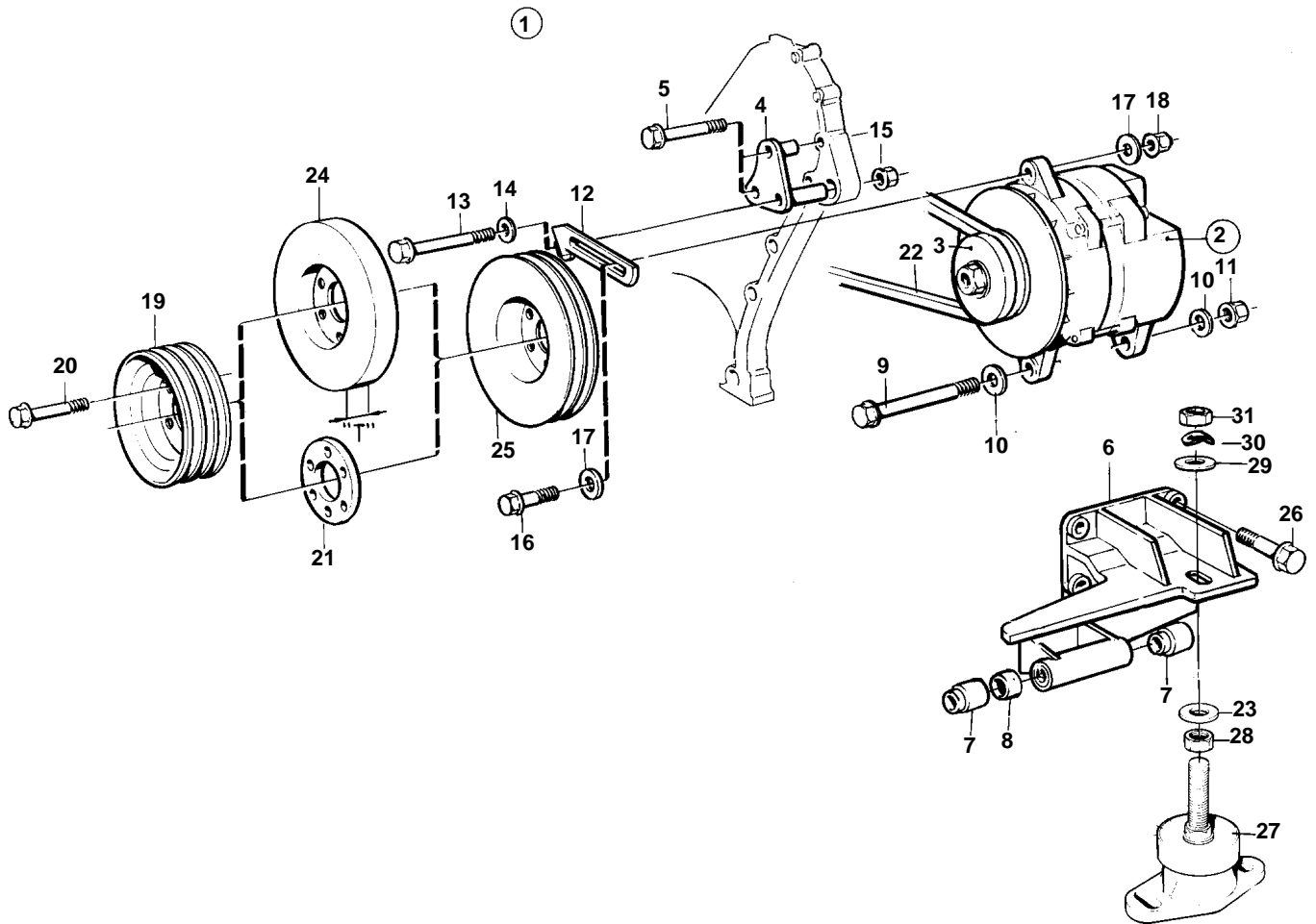


COMMON



11123

**COMMON**

REF	PART NO.	QTY	DESCRIPTION	SEE SEC.	NOTES
1	861155	1	Alternator kit		24V 100A. FITS ENGINES WITH DAMPER THICKNESS T=35 AND T=41MM.
2	849748	1	• Alternator		28V 100A. FOR 24 VOLTAGE ELECTRIC SYSTEM.
	3803499	1	• Alternator,exch		Exchange unit
				090-1497	
3	858191	1	• Pulley		
4	860869	1	• Bracket		
5	965181	2	• Screw		
6	860868	1	• Bracket		
7	859574	2	• • Bushing		
8		1	• • SLEEVE		
9	970988	1	• Screw		
10	955897	2	• Washer		
11	971099	1	• Flange lock nut		
12	859075	1	• Tensioner		
13	970963	1	• Screw		
14	960148	1	• Washer		
15	971098	1	• Flange lock nut		
16	946752	1	• Flange screw		
17	960143	2	• Washer		
18	971098	1	• Flange lock nut		
19	861123	1	• Pulley		FITS ENGINES WITH DAMPER THICKNESS T=35 AND T=41MM.
20	973080	6	• Screw		L = 110 MM, FOR 861123
21	860870	1	• Spacer		ALT.
22	966391	1	• V-belt set		
23	945544	1	• Washer		ONLY USED FOR RUBBER ELEMENT WITH M16 BOLT
24		1	DAMPER		ALT. SEE GROUP 2A
25		1	PULLEY		SEE GROUP 2A
26		4	SCREW		SEE GROUP 2A
27		X	RUBBER ELEMENT		SEE GROUP 2A
28		X	NUT		SEE GROUP 2A
29		X	WASHER		SEE GROUP 2A
30		X	RESILIENT WASHER		SEE GROUP 2A
31		X	NUT		SEE GROUP 2A