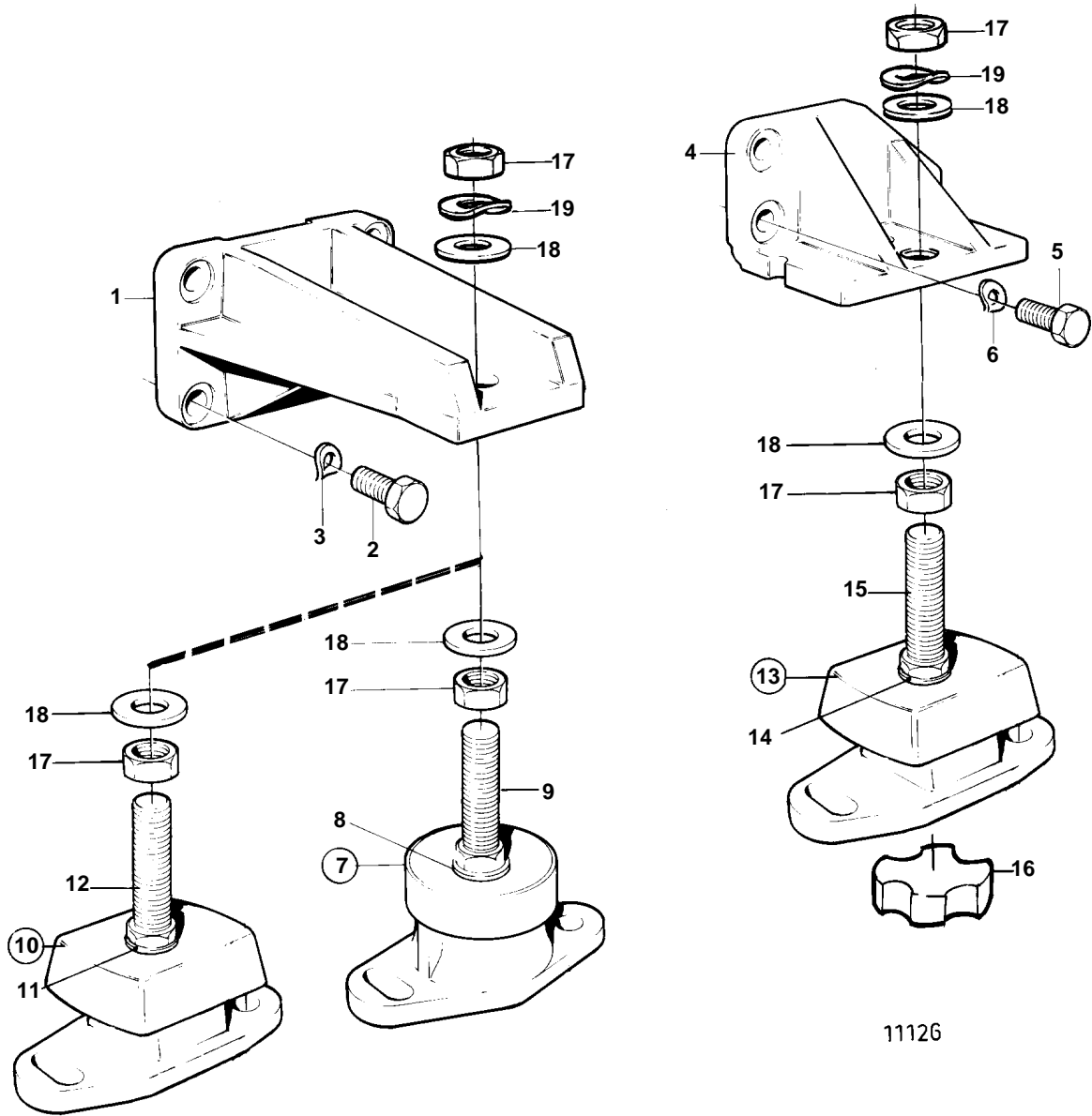


TAMD41B



## TAMD41B

REF	PART NO.	QTY	DESCRIPTION	SEE SEC.	NOTES
1	860027	2	Engine bracket		WITH HOLE FOR M16 ADJUSTING BOLT
	860953	2	Engine bracket		WITH HOLE FOR M18 ADJUSTING BOLT
2	965192	8	Flange screw		L = 40 MM
3	940280	8	Spring washer		
4	859375	1	Engine bracket		P. REAR. WITH HOLE FOR M16 ADJUSTING BOLT
	859376	1	Engine bracket		S.B. REAR. WITH HOLE FOR M16 ADJUSTING BOLT
	860952	1	Engine bracket		P. REAR. WITH HOLE FOR M18 ADJUSTING BOLT
	860954	1	Engine bracket		S.B. REAR. WITH HOLE FOR M18 ADJUSTING BOLT
5	966343	3	Screw		L = 35 MM, S.B
	966343	1	Screw		L = 35 MM, P
	965226	2	Flange screw		L = 45 MM, P
6	940280	4	Spring washer		
	955897	2	Washer		
7	829976	2	Rubber element		FRONT. WITH M16 ADJUSTING BOLT
			Bulletin 44-26	44-26-EN	Reinforced Rubber Cushion
8	955900	2	· Washer		
9	829567	2	· Adjuster screw		M16
10	876598	2	Rubber element		FRONT. WITH M18 ADJUSTING BOLT
11	955900	2	· Washer		
12	860950	2	· Adjuster screw		M18
13	858160	2	Rubber cushion		REAR. WITH M16 ADJUSTING BOLT
			Bulletin 44-26	44-26-EN	Reinforced Rubber Cushion
13	876598	2	Rubber element		REAR. WITH M18 ADJUSTING BOLT
14	955900	2	· Washer		
15	846768	2	· Adjuster screw		M16
	860950	2	· Adjuster screw		M18
16	843299	2	· Rubber disc		ONLY FOR REAR RUBBER ELEMENT 858160
17	955805	8	Nut		M16
	955806	8	Nut		M18
18	191940	6	Washer		D = 40 MM. FOR M16 ADJUSTING BOLT
	955900	2	Washer		D = 30 MM. FOR M16 ADJUSTING BOLT
	955901	4	Washer		D = 34 MM. FOR M18 ADJUSTING BOLT
	978991	4	Washer		D = 40 MM. FOR M18 ADJUSTING BOLT
19	941912	4	Spring washer		FOR M16 ADJUSTING BOLT
	941913	4	Spring washer		FOR M18 ADJUSTING BOLT