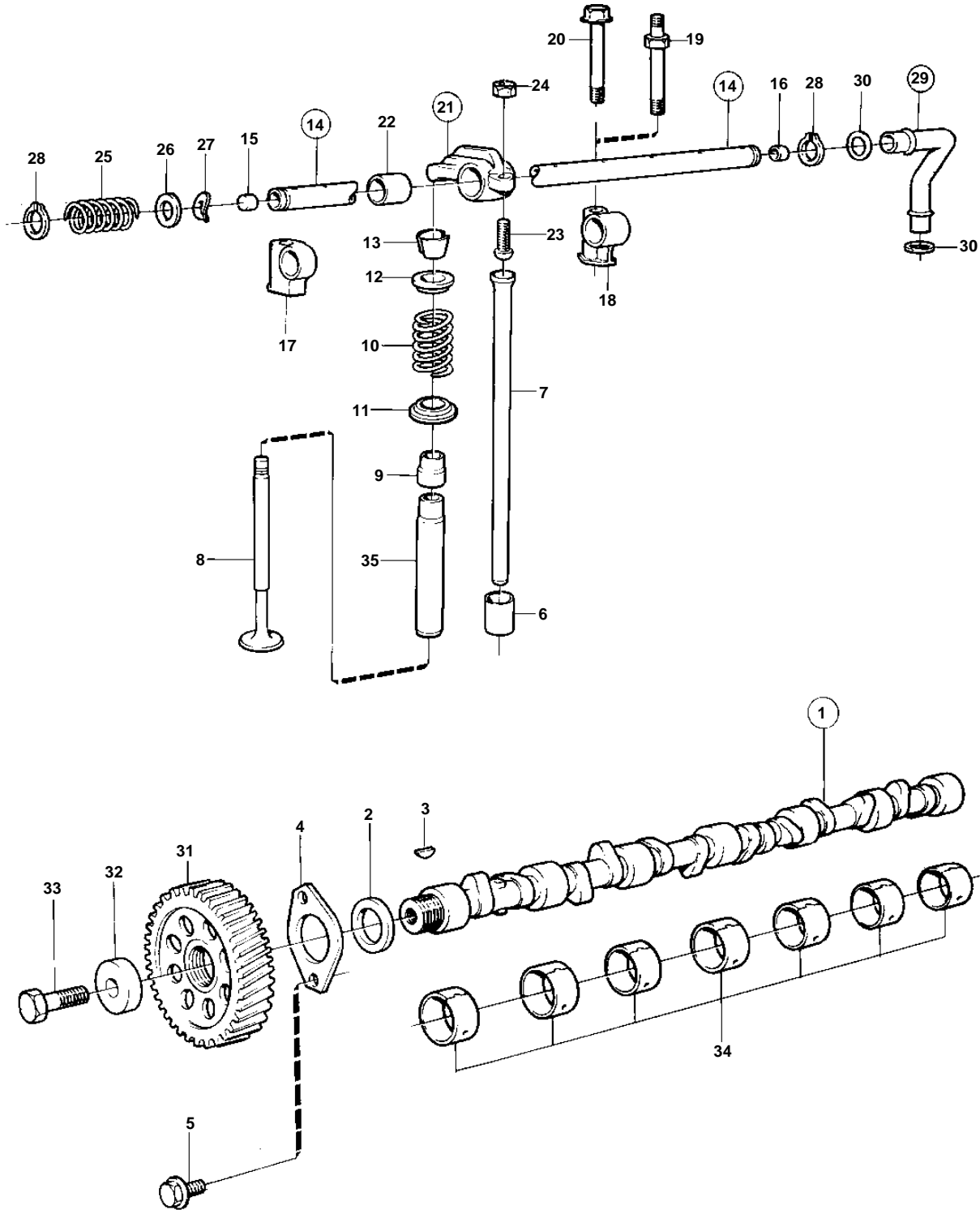


TMD41B,TAMD41B,D41B,AD41B



10611

TMD41B,TAMD41B,D41B,AD41B

REF	PART NO.	QTY	DESCRIPTION	SEE SEC.	NOTES
1	860678	1	Camshaft		
2	1542221	1	· Spacer washer		
3	910116	1	· Key		
4	838992	1	Thrust washer		
5	946440	2	Flange screw		
6	1542208	12	Tappet		
7	838636	12	Push rod		
8	838637	6	Inlet valve		
	838638	6	Exhaust valve		
9	859171	12	Valve stem seal		
10	1545198	12	Valve spring		
11	1332137	12	Valve spring washer		
12	838639	12	Spring washer		
13	1677875	24	Valve collet		(465284)
14	838643	1	Rocker arm shaft		
15	955083	1	· Cap plug		
16	840444	1	· Sleeve		
17	838726	1	Bearing bracket		
18	838647	5	Bearing bracket		
19	838732	4	Stud		
20	965188	2	Screw		
21	418301	6	Rocker arm		NO. 1,3,5,7,9,11
	418298	6	Rocker arm		NO. 2,4,6,8,10,12
22	418297	12	· Bushing		
23	418286	12	· Ball stud		
24	921781	12	· Nut		
25	411139	5	Spring		
26	840686	2	Washer		
27	400722	2	Washer		
28	914456	2	Lock ring		
29	860686	1	Intermediate pipe		
30	969198	2	· O-ring		
31	1542034	1	Gear		
32	1542223	1	Washer		
33	965193	1	Screw		
34	1542067	7	Bushing	02A-1400	
35	419653	12	Valve guide	02A-1200	