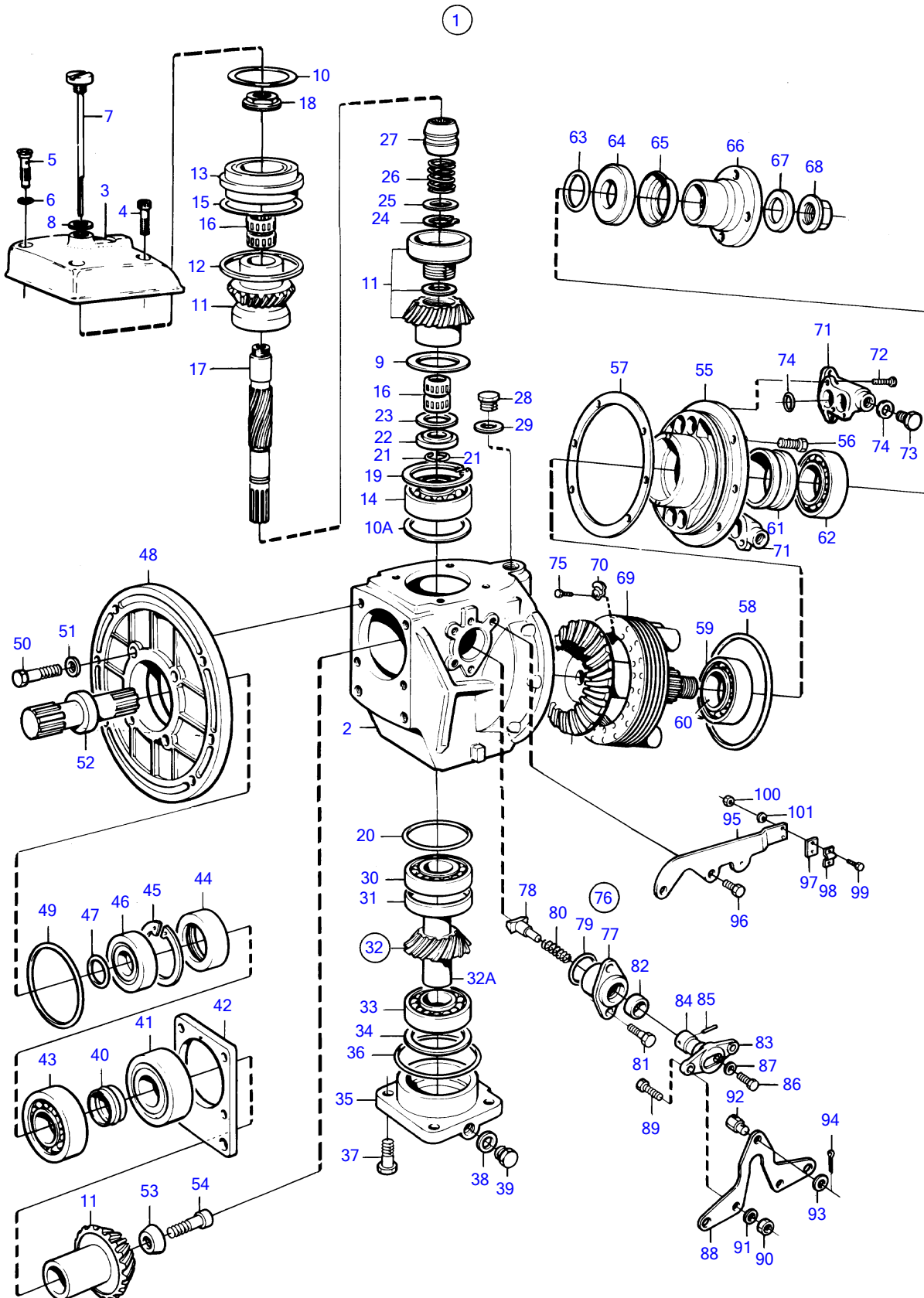


TMD41A, TMD41B, D41A, D41B, TAMD41A, TAMD41B, AQAD41A, AD41A, AD41B



10 533

TMD41A, TMD41B, D41A, D41B, TAMD41A, TAMD41B, AQAD41A, AD41A, AD41B

REF	PART NO.	QTY	DESCRIPTION	SEE SEC.	NOTES
1	854903	1	Reversing gear		Ratio 2,63:1
2	(853374)	1	• Gear housing		Obsolete part
3	832667	1	• Gear housing cover		
4	956585	3	• Hex. socket screw		
5	814643	1	• Hollow screw		
6	955989	1	• O-ring		
7	839351	1	• Oil dipstick		
8	955974	1	• O-ring		
9	949071	X	• Shim		TH=0.1mm
	949073	X	• Shim		TH=0.35mm
	949072	X	• Shim		TH=0.5mm
10	941826	X	• Shim		TH=0,05mm
	941827	X	• Shim		TH=0.2mm
	948230	X	• Shim		TH=0.35mm
10A	943866	X	• Shim		TH=0.1mm
10	943867	X	• Shim		TH=0.2mm
	967557	X	• Shim		TH=0.3mm
	943868	X	• Shim		TH=0.4mm
11	854599	1	• Gear set		
12	832669	1	• Gasket		
13	854670	1	• Ball bearing		
14	853542	1	• Ball bearing		
15	943869	X	• Shim		TH=0,05mm
	946179	X	• Shim		TH=0.1mm
	943870	X	• Shim		TH=0.2mm
16	853819	2	• Needle bearing		
17	853523	1	• Shaft		
18	839332	1	• Nut		Alt TH=2,00mm
	839333	1	• Nut		Alt TH=2,37mm
	839334	1	• Nut		Alt TH=2,65mm
19	850433	1	• Snap ring		
20	944522	X	• Shim		TH=0,05mm
	42981	X	• Shim		TH=0.1mm
	42980	X	• Shim		TH=0.2mm
21	897312	2	• Lock ring		
22	853528	1	• Spacer ring		
23	852433	1	• Wear washer		
24	951077	1	• Snap ring		
25	26411	1	• Shim		
26	813970	1	• Spring		
27	854370	1	• Sliding sleeve		
28	814179	1	• Plug		
29	897682	1	• Gasket		
30	181301	1	• Inner ring		
31	181302	1	• Cup		
32	853377	1	• Anode		
32A		1	• • sliding clutch		
33	184649	1	• Roller bearing		
34	967352	X	• Shim		TH=0,05mm
	941823	X	• Shim		TH=0,10mm
	967351	X	• Shim		TH=0.15mm
	941824	X	• Shim		TH=0.20mm
	941825	X	• Shim		TH=0.40mm
35	854097	1	• Bearing cover		
36	925257	1	• O-ring		
37	946472	4	• Flange screw		
38	947084	1	• Gasket		
39	960629	1	• Plug		
40	853484	1	• Pretensioning sleeve		
41	853949	1	• Roller bearing		
42	853063	X	• Adjusting washer		TH=0.1mm
	853064	X	• Adjusting washer		TH=0.15mm
	853065	X	• Adjusting washer		TH=0.35mm

7745630-44-19578C

10533

Upd:2011-09-27

TMD41A, TMD41B, D41A, D41B, TAM41A, TAM41B, AQAD41A, AD41A, AD41B

REF	PART NO.	QTY	DESCRIPTION	SEE SEC.	NOTES
43	183247	1	• Roller bearing		
44	853670	1	• Sealing ring		
45	914538	1	• Snap ring		
46	832675	1	• Washer		
47	956000	1	• O-ring		
48	853161	1	• Bearing housing		
49	925095	1	• O-ring		
50	967636	6	• Hex. socket screw		
51	949523	6	• Washer		
52	850275	1	• Stub axle		
53	853026	1	• Washer		
54	854201	1	• Screw		
55	(853366)	1	• Bearing housing		Obsolete part
56	946671	6	• Flange screw		
57	853370	X	• Adjusting washer		TH=0.1mm
	853369	X	• Adjusting washer		TH=0.15mm
	853368	X	• Adjusting washer		TH=0.35mm
58	943244	1	• O-ring		
59	183328	1	• Cup		
60	183327	1	• Inner ring		
61	852696	1	• Pretensioning sleeve		
62	853949	1	• Roller bearing		
63	925063	1	• O-ring		
64	853757	1	• Sealing ring		
65	944530	1	• Sealing ring		
66	853481	1	• Flange		
67	850471	1	• Washer		
68	947855	1	• Flange lock nut		
69	(853394)	1	• Oil cooler		Obsolete part
70	853361	2	• Retainer		
71	851874	2	• Pipe connection		
72	965213	4	• Flange screw		
73	192134	2	• Plug		
74	960169	4	• O-ring		
75	959187	4	• Hex. socket screw		
76	853198	1	• Shift mechanism		
77	851662	1	• • Bearing housing		
78	839646	1	• • Dog		
79	925065	1	• • O-ring		
80	814184	1	• • Spring		Obsolete part
81	965215	2	• • Flange screw		
82	958838	1	• • Sealing ring		
83	897816	1	• • Eccentric piston		
			Bulletin P-44-1-7	P-44-1-7-EN	Shift mechanism, eccentric piston
84	951924	1	• • Spring pin		
85	942871	1	• • Clevis pin		
86	897711	1	• • Screw		
87	897871	1	• • Shim		
88	853225	1	• Intermediate lever		
89	955270	2	• Hexagon screw		
90	955781	2	• Hexagon nut		
91	955948	2	• Toothed washer		
92	804312	1	• Cube		
93	955892	1	• Washer		
94	17276	1	• Split pin		
95	853180	1	• Bracket		
96	955294	2	• Hexagon screw		
97	819068	1	• Washer		
98	21471054	1	• Bracket		
99	955246	2	• Hexagon screw		
100	946577	2	• Lock nut		
101	940090	2	• Washer		
	876073	1	Gasket kit		See group 10A

7745630-44-19578C

10533

Upd:2011-09-27