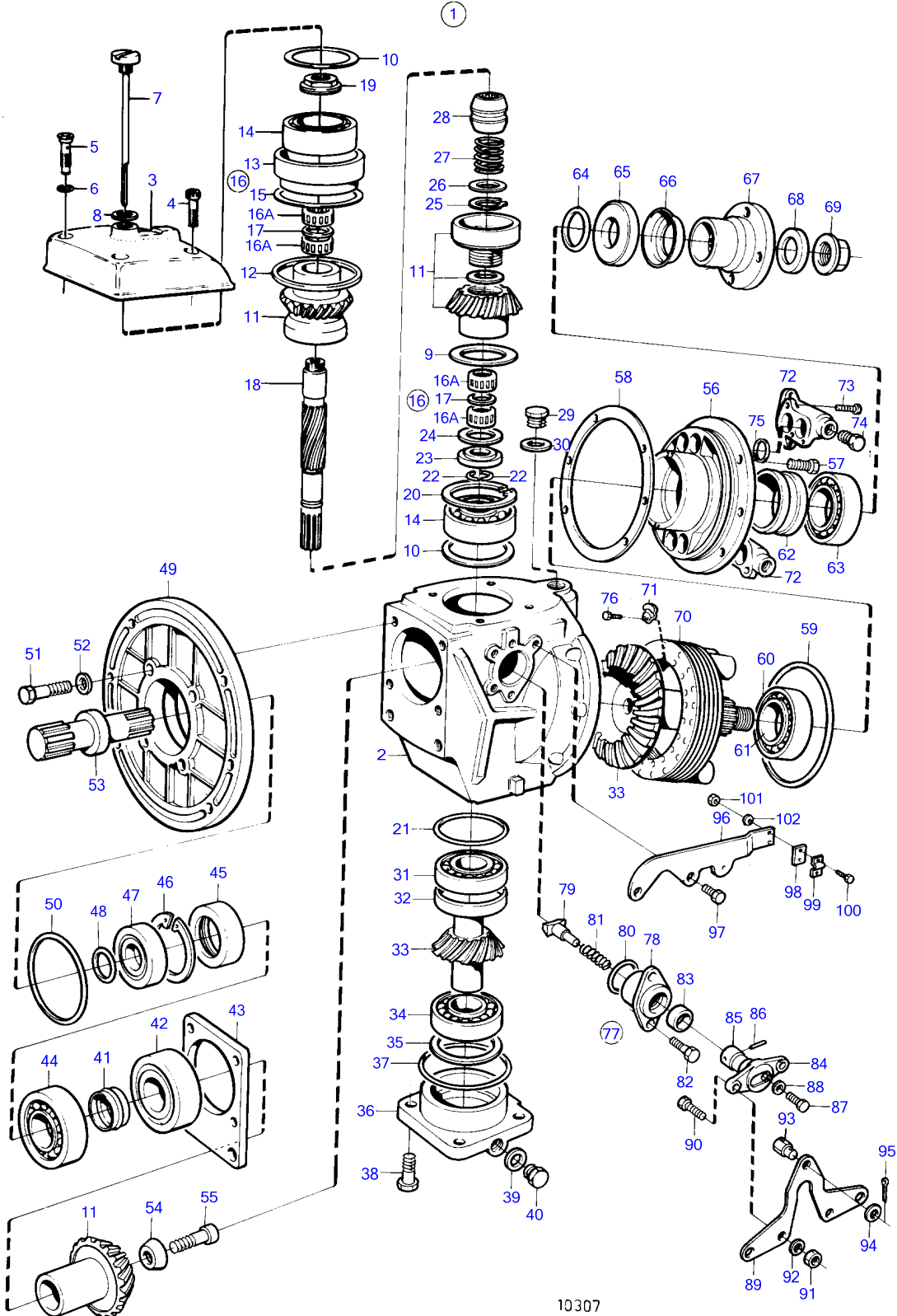


TMD41A, TMD41B, D41A, D41B, TAMD41A, TAMD41B, AQAD41A, AD41A, AD41B



10307

TMD41A, TMD41B, D41A, D41B, TAM41A, TAM41B, AQAD41A, AD41A, AD41B

REF	PART NO.	QTY	DESCRIPTION	SEE SEC.	NOTES
1	853398	1	Reversing gear		Ratio 1,93:1
2	(853374)	1	• Gear housing		Obsolete part
3	832667	1	• Gear housing cover		
4	956585	3	• Hex. socket screw		
5	814643	1	• Hollow screw		
6	955989	1	• O-ring		
7	839351	1	• Oil dipstick		
8	955974	1	• O-ring		
9	949071	X	• Shim		TH=0.1mm
	949073	X	• Shim		TH=0.35mm
	949072	X	• Shim		TH=0.5mm
10	943866	X	• Shim		TH=0.1mm
	943867	X	• Shim		TH=0.2mm
	967557	X	• Shim		TH=0.3mm
	943868	X	• Shim		TH=0.4mm
11	854599	1	• Gear set		
12	832669	1	• Gasket		
13	832644	1	• Bearing sleeve		
14	853542	2	• Ball bearing		
15	943869	X	• Shim		TH=0,05mm
	946179	X	• Shim		TH=0.1mm
	943870	X	• Shim		TH=0.2mm
16	853819	2	• Needle bearing		
16A	181359	4	• Needle roller assemb		Repl by 853819
17	(897308)	2	• Spacer ring		For 181359, Obsolete part
18	853523	1	• Shaft		
19	839332	1	• Nut		Alt TH=2,00mm
	839333	1	• Nut		Alt TH=2,37mm
	839334	1	• Nut		Alt TH=2,65mm
20	850433	1	• Snap ring		
21	944522	X	• Shim		TH=0,05mm
	42981	X	• Shim		TH=0.1mm
	42980	X	• Shim		TH=0.2mm
22	897312	2	• Lock ring		
23	853528	1	• Spacer ring		
24	852433	1	• Wear washer		
25	951077	1	• Snap ring		
26	26411	1	• Shim		
27	813970	1	• Spring		
28	854370	1	• Sliding sleeve		(853420)
29	814179	1	• Plug		
30	897682	1	• Gasket		
31	181301	1	• Inner ring		
32	181302	1	• Cup		
33	853376	1	• Drive gear set		
34	184649	1	• Roller bearing		
35	967352	X	• Shim		TH=0,05mm
	941823	X	• Shim		TH=0,10mm
	967351	X	• Shim		TH=0.15mm
	941824	X	• Shim		TH=0.20mm
	941825	X	• Shim		TH=0.40mm
36	854097	1	• Bearing cover		(852372)
37	925257	1	• O-ring		
38	946472	4	• Flange screw		
39	947084	1	• Gasket		
40	960629	1	• Plug		
41	853484	1	• Pretensioning sleeve		
42	853949	1	• Roller bearing		(183668)
43	853063	X	• Adjusting washer		TH=0.1mm
	853064	X	• Adjusting washer		TH=0.15mm
	853065	X	• Adjusting washer		TH=0.35mm
44	183247	1	• Roller bearing		
45	853670	1	• Sealing ring		(839253)

7745630-44-19577B

10307

Upd:2011-09-27

TMD41A, TMD41B, D41A, D41B, TAM41A, TAM41B, AQAD41A, AD41A, AD41B

REF	PART NO.	QTY	DESCRIPTION	SEE SEC.	NOTES
46	914538	1	• Snap ring		
47	832675	1	• Washer		
48	956000	1	• O-ring		
49	853161	1	• Bearing housing		
50	925095	1	• O-ring		
51	967636	1	• Hex. socket screw		
52	949523	1	• Washer		
53	850275	1	• Stub axle		
54	853026	1	• Washer		
55	854201	1	• Screw		(851293)
56	(853366)	1	• Bearing housing		Obsolete part
57	946671	6	• Flange screw		
58	853370	X	• Adjusting washer		TH=0.1mm
	853369	X	• Adjusting washer		TH=0.15mm
	853368	X	• Adjusting washer		TH=0.35mm
59	943244	1	• O-ring		
60	183328	1	• Cup		
61	183327	1	• Inner ring		
62	852696	1	• Pretensioning sleeve		
63	853949	1	• Roller bearing		(183668)
64	925063	1	• O-ring		
65	853757	1	• Sealing ring		(959026)
66	944530	1	• Sealing ring		
67	853481	1	• Flange		
68	850471	1	• Washer		
69	947855	1	• Flange lock nut		
70	(853394)	1	• Oil cooler		Obsolete part
71	853361	2	• Retainer		
72	851874	2	• Pipe connection		
73	965213	4	• Flange screw		
74	192134	2	• Plug		
75	960169	4	• O-ring		
76	959187	4	• Hex. socket screw		
77	853198	1	• Shift mechanism		
78	851662	1	• • Bearing housing		
79	839646	1	• • Dog		
80	925065	1	• • O-ring		
81	814184	1	• • Spring		Obsolete part
82	965215	2	• • Flange screw		
83	958838	1	• • Sealing ring		
84	897816	1	• • Eccentric piston		
			Bulletin P-44-1-7	P-44-1-7-EN	Shift mechanism, eccentric piston
85	951924	1	• • Spring pin		
86	942871	1	• • Clevis pin		
87	897711	1	• • Screw		
88	897871	1	• • Shim		
89	853225	1	• Intermediate lever		
90	955270	2	• Hexagon screw		
91	955781	2	• Hexagon nut		
92	955948	2	• Toothed washer		
93	804312	1	• Cube		
94	955982	1	• O-ring		
95	17276	1	• Split pin		
96	853180	1	• Bracket		
97	955294	2	• Hexagon screw		
98	819068	1	• Washer		
99	21471054	1	• Bracket		
100	955246	2	• Hexagon screw		
101	946577	2	• Lock nut		
102	940090	2	• Washer		
	876073	1	Gasket kit		See group 10A

7745630-44-19577B

10307

Upd:2011-09-27