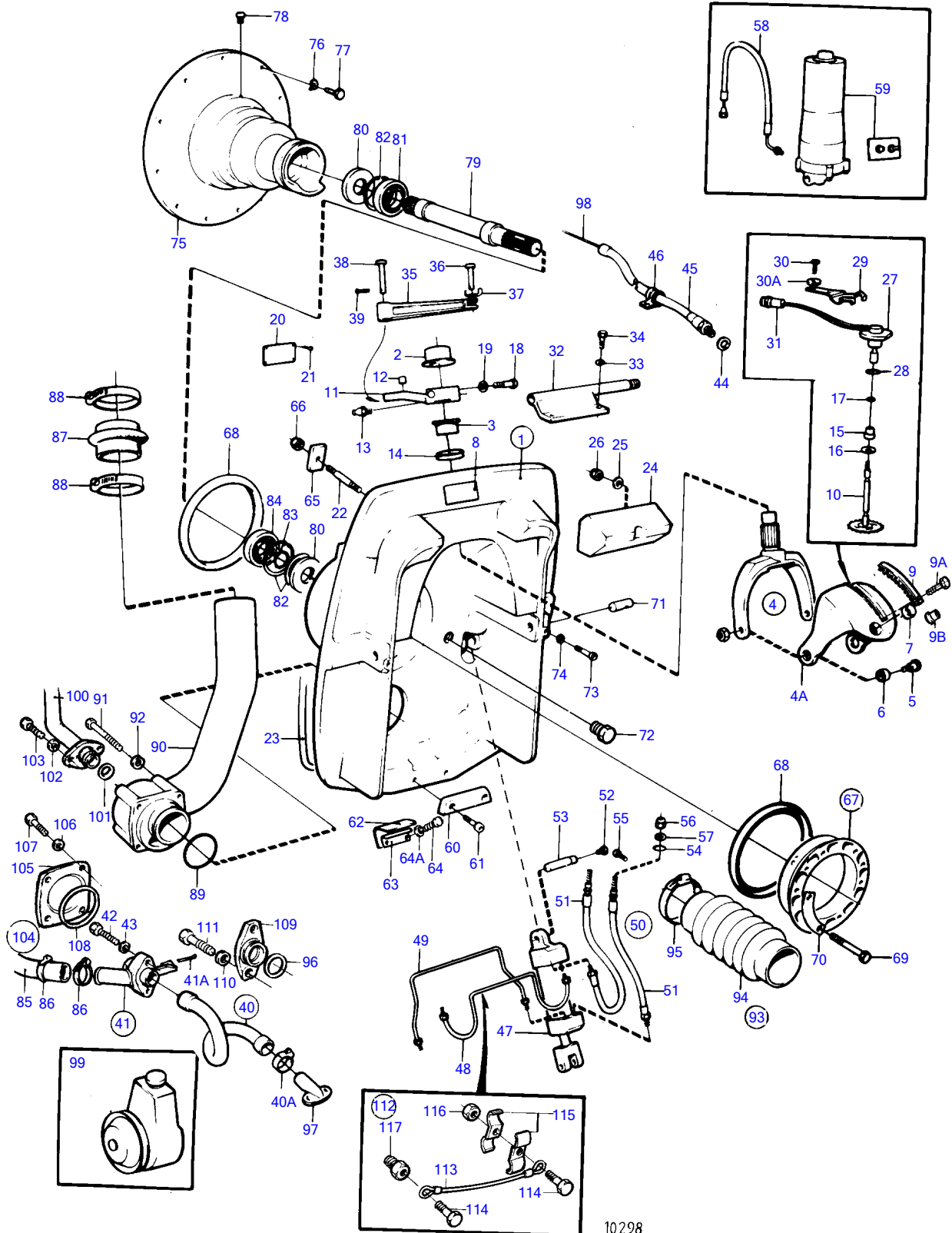


AQAD41A, AD41A



AQAD41A, AD41A

REF	PART NO.	QTY	DESCRIPTION	SEE SEC.	NOTES
1	875845	1	Transom shield		White, Repl by 876150
2	853864	1	• Bushing		
3	853863	1	• Bushing		
4	852950	1	• Steering yoke		White, Repl by 854066
4A		1	• • protection cap		
5		2	• • shouter screw		
6		2	• • bushing		
7	853048	1	• • Bushing		
8	852827	1	• Sign		
9	851434	1	• Gear segment		Replaced by quadrant 854063, screw 853759 and plate 853760
	854063	1	• Gear segment		
9A	853759	1	• Screw		
9B	853760	1	• Rivet nut		
10	852984	1	• Driving wheel		
11	853017	1	• Spindle arm		
12	949368	1	• • Bushing		
13	914169	1	• Lubricating nipple		
14	839195	1	• Ring		
			• Bulletin 48-23	48-23-EN	Seal Ring
15	851430	1	• Bushing		
16	966207	1	• Sealing ring		
17	925050	1	• O-ring		
18	959241	1	• Hex. socket screw		
19	941908	1	• Spring washer		
20	853706	1	• Type plate		
21	804269	4	• Drive screw		
22	853982	6	• Stud		(853043)
23	852868	1	Sealing strip		
24	854133	1	Rubber cushion		(852772)
25	960148	2	Washer		
26	971089	2	Lock nut		(963107)
27	828726	1	Sensor		
28	955991	1	O-ring		
29	853039	1	Bracket		
30	940199	1	Hexagon screw		
30A	941907	1	Spring washer		
31		X	cables and terminals		See group 3
32	852775	1	Cable attachment		
33	942336	2	Spring washer		
34	959241	2	Hex. socket screw		
35	(852786)	1	Link rod		Obsolete part
36	913158	1	Clevis pin		
37	853160	1	Lock washer		
38	(852788)	1	Bolt		Obsolete part
39	907861	1	Split pin		
40	875847	1	Hose kit		
40A	853548	2	• Hose clamp		
41	853517	1	Tap		
41A	967707	1	Split pin		
42	955515	2	Hexagon screw		
43	941906	2	Spring washer		
44	897745	1	Gasket		
45	839091	1	Protecting hose		
46	952635	1	Clamp		
47	853439	2	Hydraulic cylinder		Repl by 854610
	854610	2	Hydraulic cylinder		
48	852830	1	Tube		
49	852832	1	Tube		
50	854752	1	Set		
51	853708	2	• Hose		
52	852879	2	Plug		
53	852748	2	Pin		

AQAD41A, AD41A

REF	PART NO.	QTY	DESCRIPTION	SEE SEC.	NOTES
54	925053	4	O-ring		
55	853060	2	Flange screw		
56	853100	2	Lock nut		
57	853059	2	Washer		
58	852839	2	Hose	19565	
59		1	hydraulic pump and trim instrument with installation components	19565	
60	852835	1	Zinc electrode		
61	946541	2	Hex. socket screw		
62	852877	1	Check valve		
63	(852878)	1	Attaching plate		Obsolete part
64	963545	2	Hexagon screw		
64A	941670	2	Washer		
65	852866	6	Washer		
66	963108	6	Lock nut		
67	843626	1	Mounting kit		White, Repl by 854317
68	813967	2	• Rubber ring		
69	191844	6	• Hexagon screw		
70	806624	3	• Striker plate		
71	853175	2	Pivot pin		(897831)
72	853215	1	Plug		
73	963699	2	Hex. socket screw		
74	941670	2	Washer		
75	844519	1	Flywheel housing		
76	941908	11	Spring washer		
77	946752	11	Flange screw		
78	804262	1	Plug		
79	853809	1	Spindle		
80	958860	2	Sealing ring		
81	11013	1	Ball bearing		
82	914533	3	Snap ring		
83	914462	1	Snap ring		
84	181105	1	Ball bearing		
85	858517	1	Hose		
86	961670	2	Hose clamp		
87	858955	1	Exhaust hose, exhaust hose		(858729) See group 2B See group 2B
88	943483	2	Hose clamp		
89	925260	1	O-ring		
90	853535	1	Exhaust pipe		
91	959249	4	Hex. socket screw		
92	960148	4	Washer		
93	875848	1	Bellows kit		
94		1	• bellow		
95	961675	1	• Hose clamp		
96	925066	1	O-ring		
97	851766	1	Hose connection		White, Repl by 854031
	854031	1	Hose connection		Gray
98		X	control cable		See group 9
99		X	power steering		See group 6
		X	roto pilot		See group 6
100	858678	1	Coolant pipe		
101	842913	1	Sealing ring		
102	940191	2	Washer		
103	963556	2	Hexagon screw		
104	(1140003)	1	Cover plate		Obsolete part, Alt
105	(854584)	1	• Seal flange		Obsolete part, (838934)
106	941908	4	• Spring washer		
107	955315	4	• Hexagon screw		
108	925260	1	• O-ring		
109	858061	1	Seal flange		Alt
110	941906	2	Spring washer		

