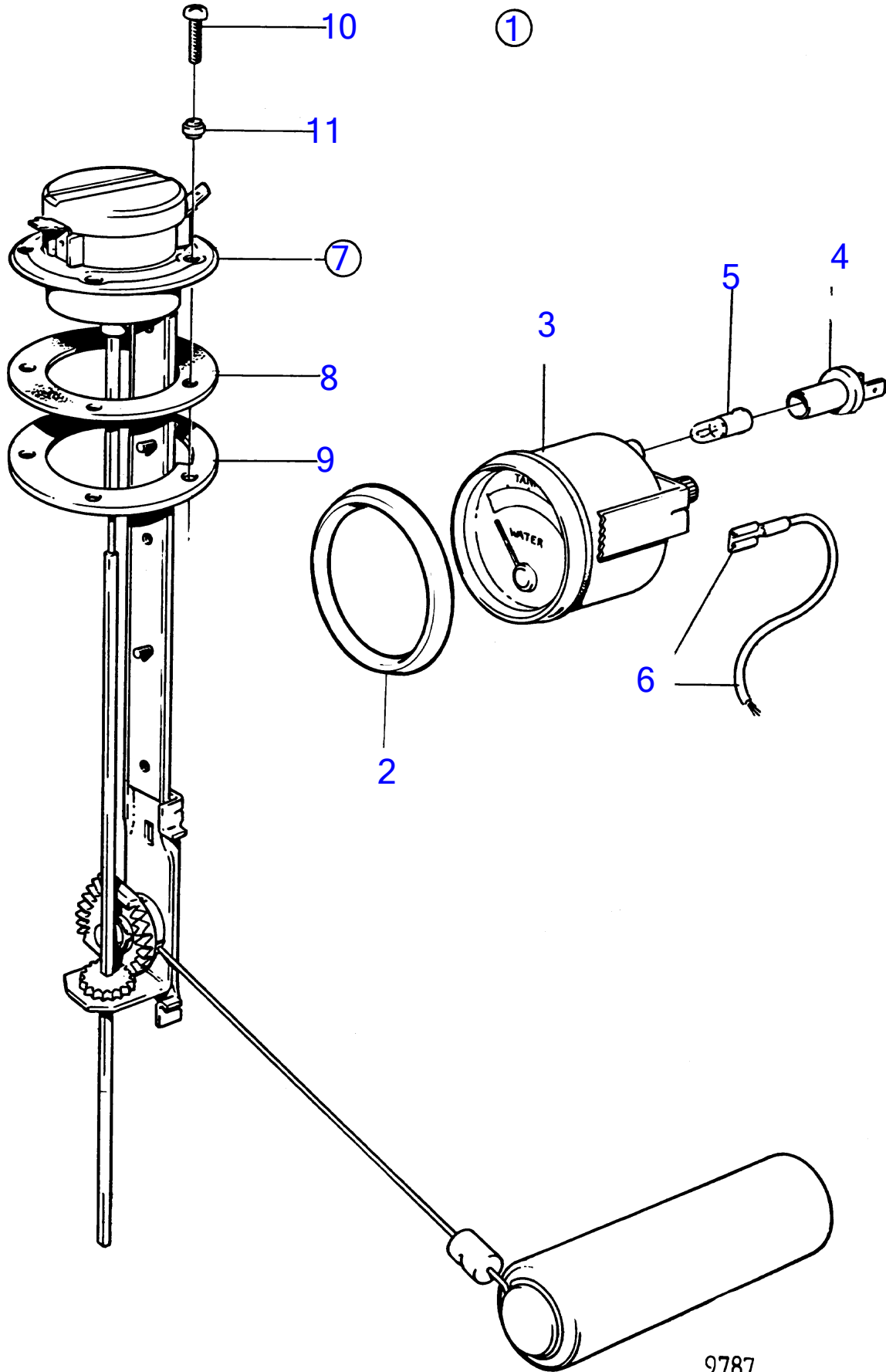


TMD41A, TMD41B, D41A, D41B, TAMD41A, TAMD41B, AQAD41A, AD41A, AD41B



9787

TMD41A, TMD41B, D41A, D41B, TAMD41A, TAMD41B, AQAD41A, AD41A, AD41B

REF	PART NO.	QTY	DESCRIPTION	NOTES
1		1		24V
2	858643	1	• Front ring	
3	863941	1	• Fuel gauge	(828633)
4	863945	1	• • Lamp socket	For instruments with partno 828633,828636 should white bulb 182059 and bulb holder 808175 be installed.
5	863947	1	• • Bulb	For instruments with partno 828633,828636 should white bulb 182059 and bulb holder 808175 be installed., Red
6		X	• cables and terminals	See group 3
7	837999	1	• Sensor	
8	89865	1	• • Gasket	
9	834480	1	• • Flange	
10	956078	4	• • Cross recessed screw	L=16mm
	956081	1	• • Cross recessed screw	L=25mm
11	834481	5	• • Gasket	