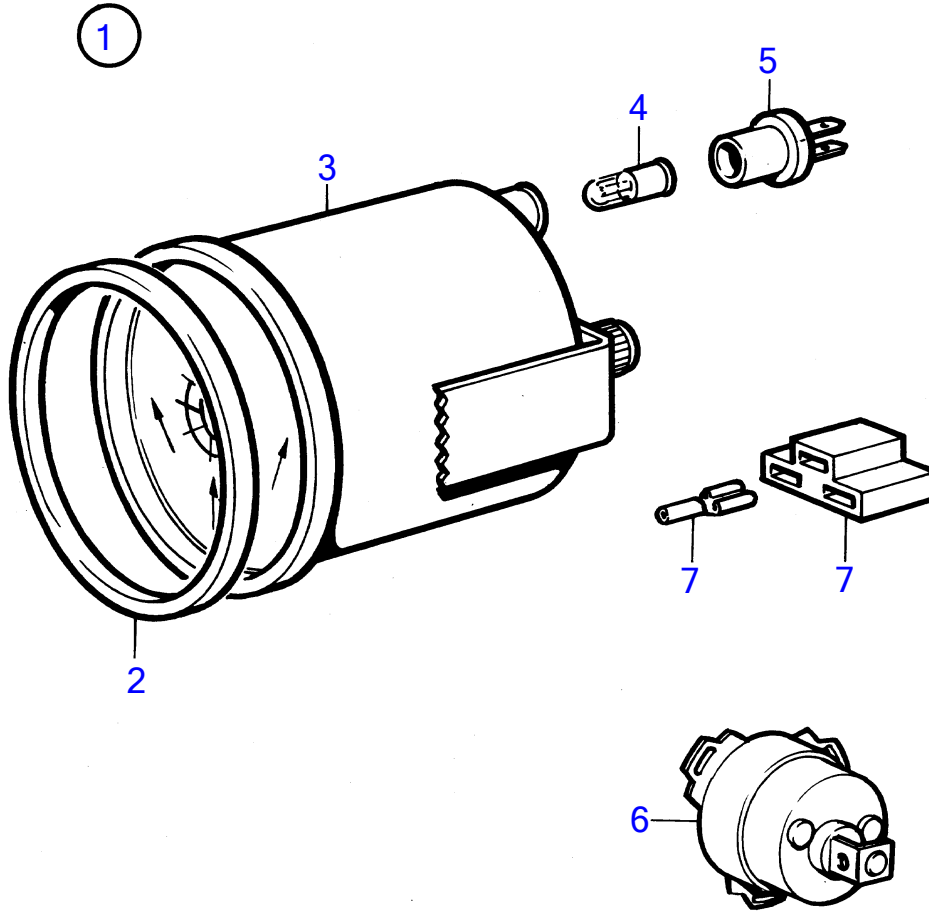


TMD41A, TMD41B, TAMD41A, TAMD41B



10036

TMD41A, TMD41B, TAMD41A, TAMD41B

REF	PART NO.	QTY	DESCRIPTION	NOTES
1	840789	1	Rudder indicator kit	Gold coloured decor stripe., Repl by 858886
2	828542	1	• Front ring	Gold coloured decor stripe., Repl by 858643
	858643	1	• Front ring	White coloured decor stripe.
3	863944	1	• Rudder indicator	(828698)
4	863946	1	• • Bulb	For rudder indicator instruments with part no 828698 should white bulb 19923 and bulb holder 808175 be installed, Red
5	863945	1	• • Lamp socket	For rudder indicator instruments with part no 828698 should white bulb 19923 and bulb holder 808175 be installed
6	837772	1	• Position sensor	
7		X	• cables and terminals	See group 3