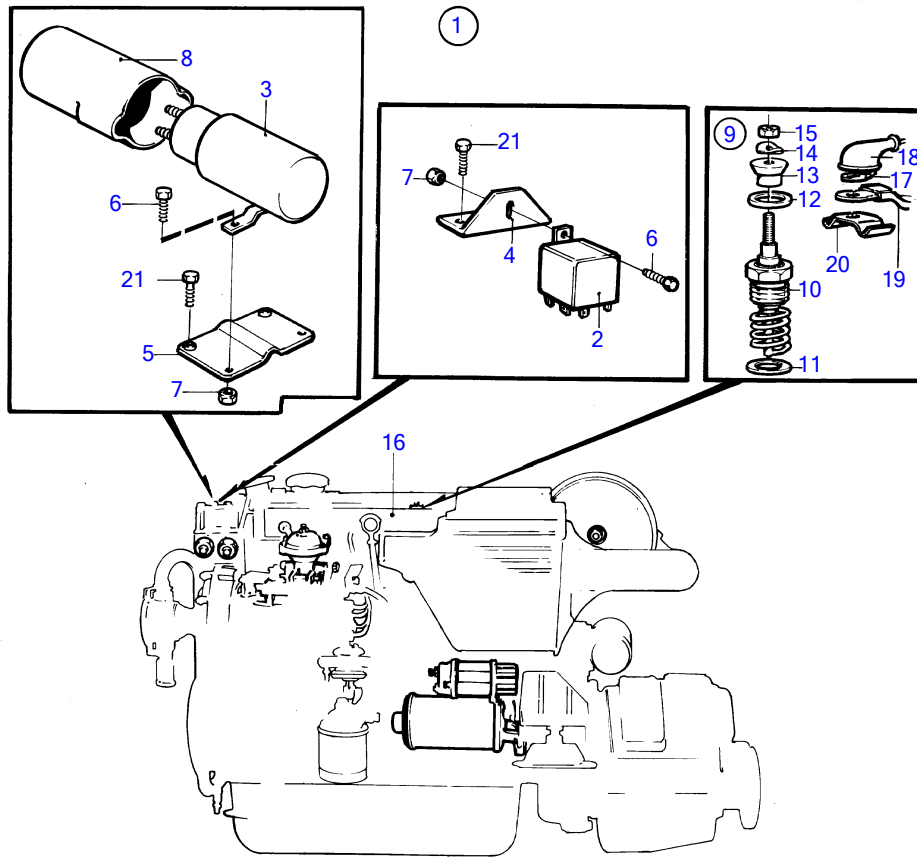


TMD41A, D41A, TAMD41A, AQAD41A, AD41A



9162

## TMD41A, D41A, TAMD41A, AQAD41A, AD41A

| REF | PART NO. | QTY | DESCRIPTION            | NOTES   |
|-----|----------|-----|------------------------|---|
| 1   | (859676) | 1   | Conversion kit         | Obsolete part, From 2 to 4 glowplugs., For TMD41A, D41A, TAMD41A,AQAD41A,AD41A, 12V |
| 3   | 1577375  | 1   | • Relay                |   |
| 5   | (859069) | 1   | • Bracket              | Obsolete part   |
| 6   | 956076   | 2   | • Cross recessed screw |   |
| 7   | 965483   | 2   | • Flange nut           |   |
| 8   | 1581123  | 1   | • Casing               |   |
| 9   | 876132   | 1   | • Glow plug            |   |
| 10  | 3581635  | 2   | • • Glow plug          |   |
| 11  | 859211   | 1   | • • Sealing ring       |   |
| 12  |          | 1   | • • o-ring             |   |
| 13  | 859328   | 1   | • • Thrust sleeve      |   |
| 14  | 941905   | 1   | • • Spring washer      |   |
| 15  | 965483   | 1   | • • Flange nut         |   |
| 17  |          | X   | • cables and terminals | See group 3   |
| 18  | 673580   | X   | • Adapter              |   |
| 21  |          | 2   | screw                  | See group 2B  |