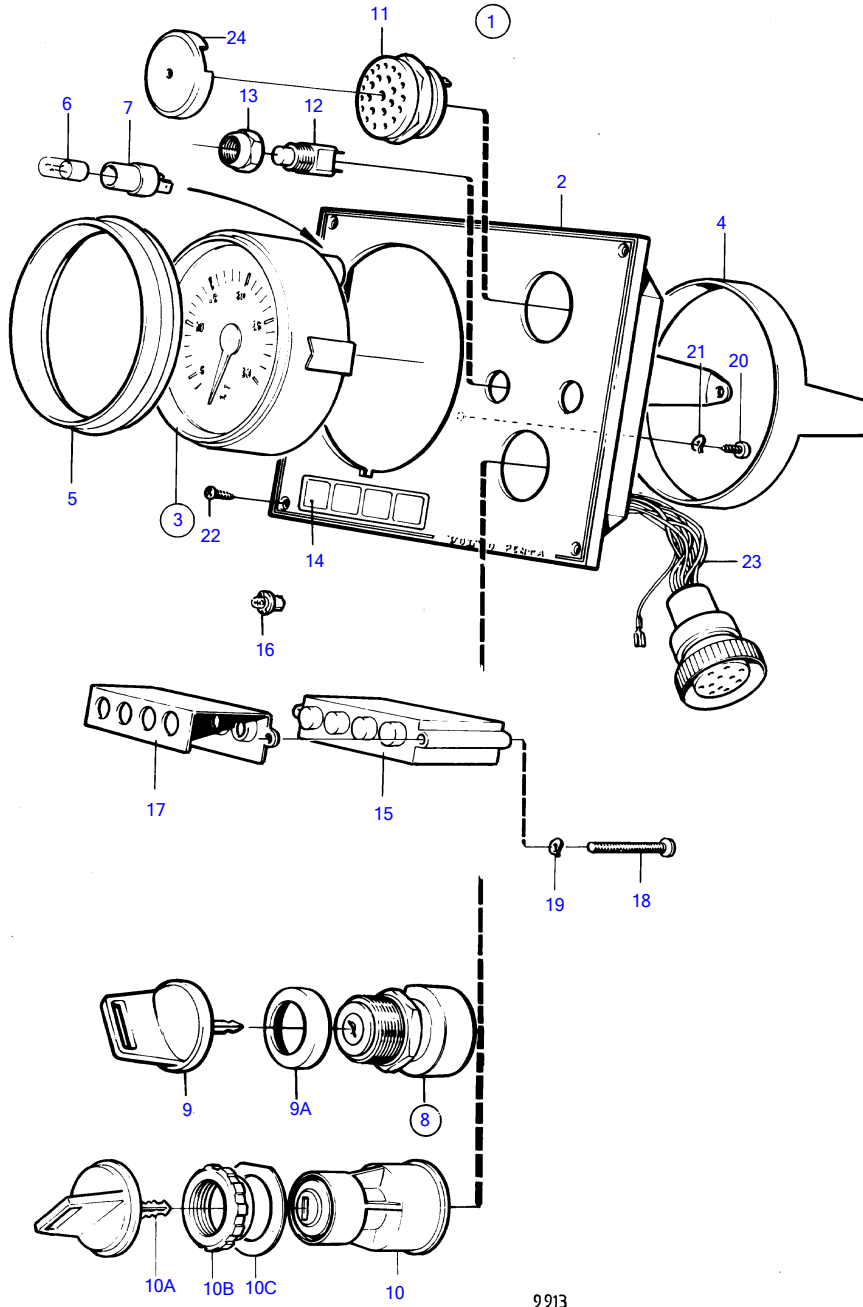


TMD41A, TMD41B, D41A, D41B, TAMD41A, TAMD41B, AQAD41A, AD41A, AD41B



9913

TMD41A, TMD41B, D41A, D41B, TAMD41A, TAMD41B, AQAD41A, AD41A, AD41B

REF	PART NO.	QTY	DESCRIPTION	SEE SEC.	NOTES
1	838810	1	Instrument panel		Gold coloured decor stripe., 12V repl by 858868
2	828583	1	• Instrument panel		Repl by 858646
	858646	1	• Instrument panel		Repl by 860183
	860183	1	• Instrument panel		
3	838811	1	• Tachometer		
4	(828558)	1	• • Attaching ring		Obsolete part
5	828559	1	• Front ring		Repl by 858644
	858644	1	• Front ring		
6	19923	1	• Bulb		
7	808175	1	• Lamp socket		
8	828778	1	• Starter switch		Repl by 864277
9	(828676)	2	• • Key		State key code when ordering., Obsolete part
			Bulletin P-36-4-1	P-36-4-1-EN	Deleted Part No's for Keys
9A	1581184	1	• Round nut		
10	864277	1	• Starter switch		
10A	859953	2	• • Key		State key code when ordering.
			Bulletin 49-30	49-30-EN	Key P/N 859953
10B	859955	1	• • Plastic nut		
10C	860086	1	• • Marking label		
11	828587	1	• Buzzer		
12	828584	1	• Toggle switch		Alarm
	828585	1	• Toggle switch		Lighting
13	828586	2	• Nut		
14	828560	1	• Symbol strip		Repl by 858645
	858645	1	• Symbol strip		
15	828783	1	• Electronic unit		
16	19923	4	• Bulb		
17	828784	1	• Reflector		
18	(941615)	2	• Cross recessed screw		Obsolete part
19	941904	2	• Spring washer		
20	949947	1	• Cross recessed screw		
21	941904	1	• Spring washer		
22	828647	4	• Screw		
24	858795	1	• Protecting casing		

7745630-90-19637

9913

Upd:2011-09-27