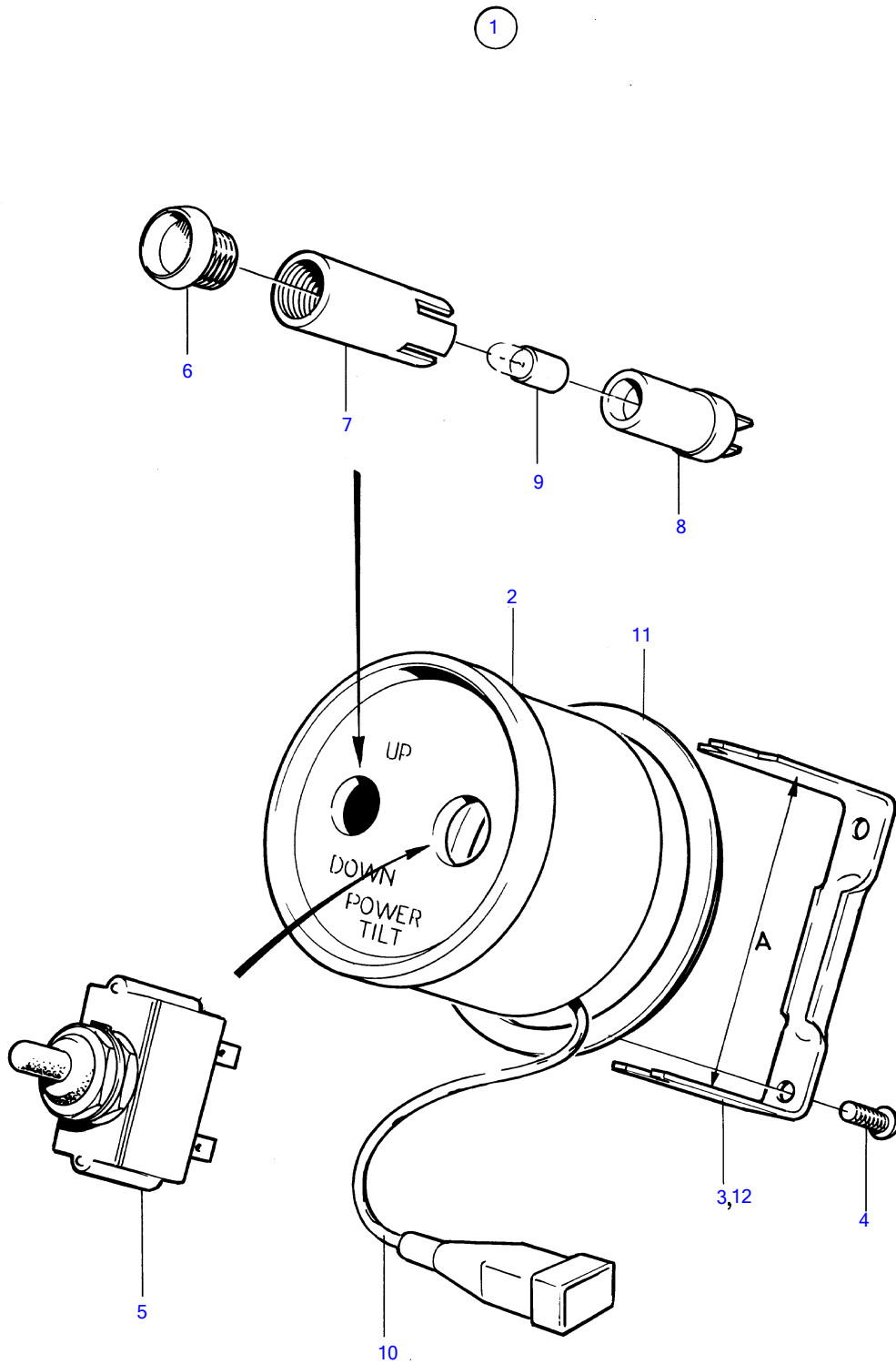


TMD41A, TMD41B, D41A, D41B, TAMD41A, TAMD41B, AQAD41A, AD41A, AD41B



4656

TMD41A, TMD41B, D41A, D41B, TAMD41A, TAMD41B, AQAD41A, AD41A, AD41B

REF	PART NO.	QTY	DESCRIPTION	NOTES
1	850375	1	Instrument panel	12V
2		1	• panel	
3	850372	1	• Attaching brace	A=60mm
4	944201	2	• Cross recessed screw	
5	814322	1	• Toggle switch	
6	827766	1	• Lens	
7	819350	1	• Sleeve	
8	808175	1	• Lamp socket	
9	19923	1	• Bulb	12V
10	839426	1	• Cable	
		X	• • cables and cable terminals	See group 3
11	(843603)	1	Intermediate ring	Alt, Obsolete part
12	(843602)	1	Attaching brace	Alt A=65mm, Obsolete part