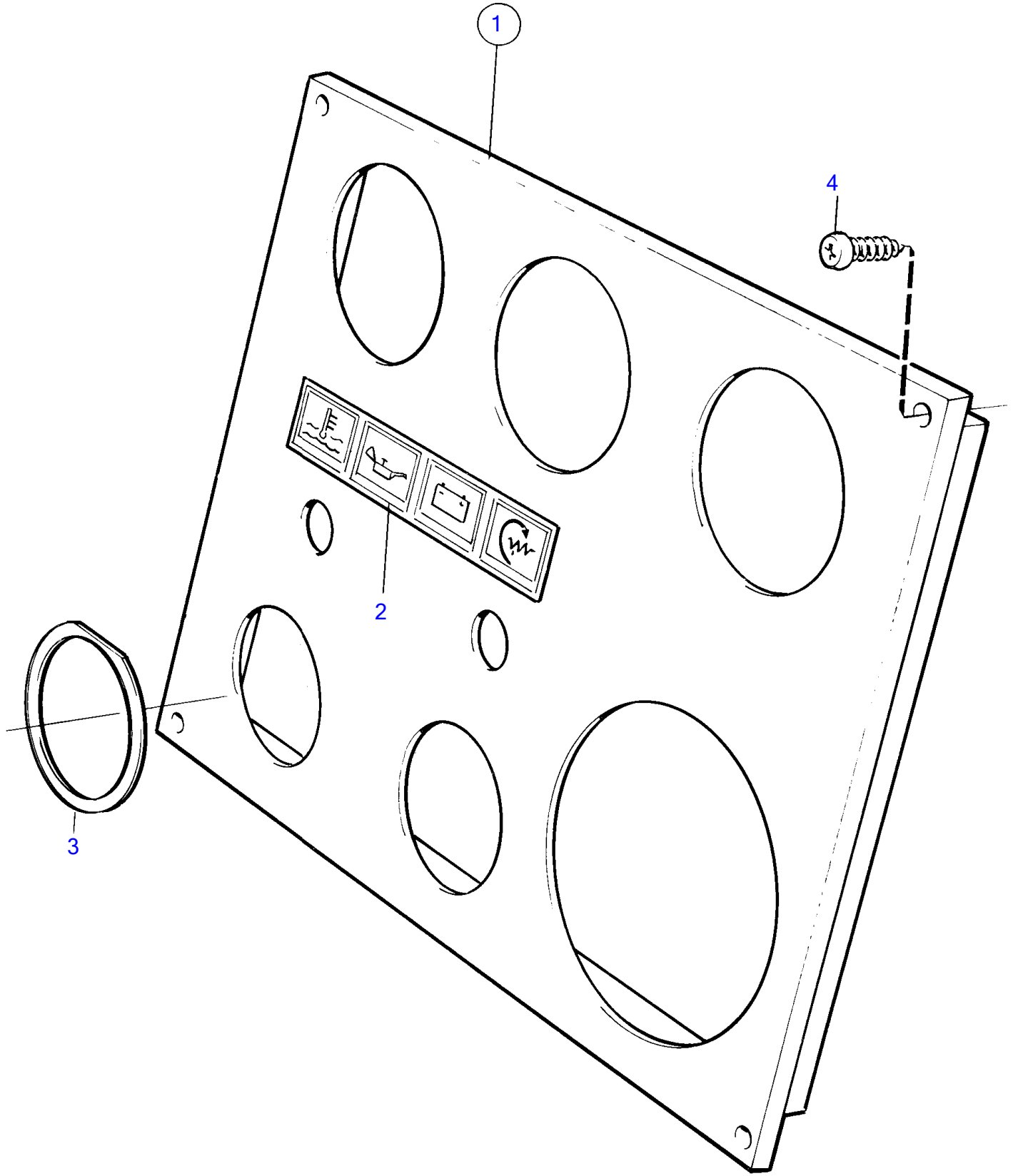


TMD41A, TMD41B, D41A, D41B, TAMD41A, TAMD41B, AQAD41A, AD41A, AD41B



10041

TMD41A, TMD41B, D41A, D41B, TAMD41A, TAMD41B, AQAD41A, AD41A, AD41B

REF	PART NO.	QTY	DESCRIPTION	NOTES
1	828780	1	Instrument panel	Mirror-inverted,for twin installation., Gold coloured decor stripe., Repl by 860184
2	828560	1	• Symbol strip	Repl by 858645
	858645	1	• Symbol strip	
4	828647	4	Screw	