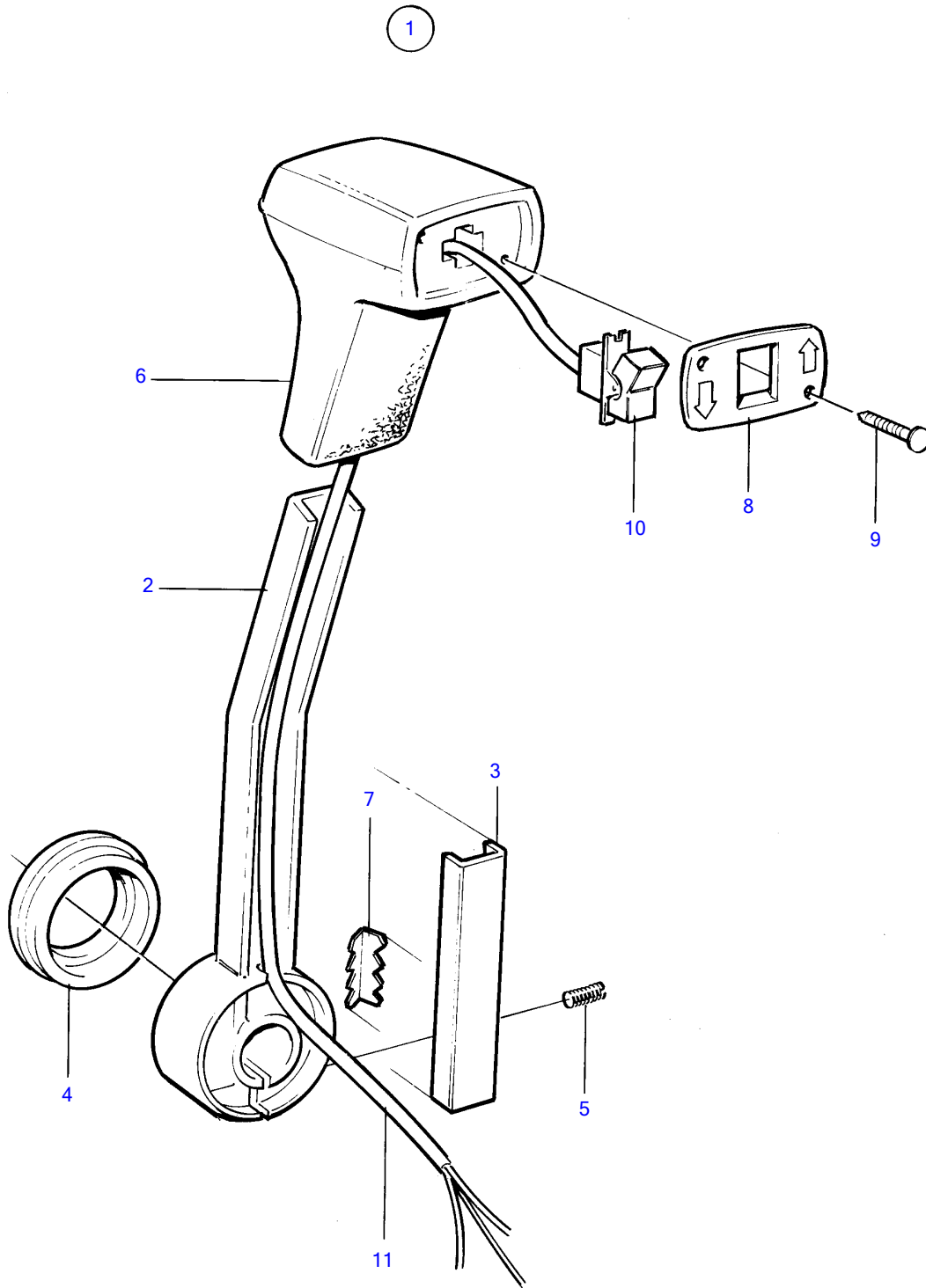


TMD41A, TMD41B, D41A, D41B, TAMD41A, TAMD41B, AQAD41A, AD41A, AD41B



8848

TMD41A, TMD41B, D41A, D41B, TAMD41A, TAMD41B, AQAD41A, AD41A, AD41B

REF	PART NO.	QTY	DESCRIPTION
1	1140041	1	Hand lever
2		1	• handle
3	852991	1	• Rail
4	852995	1	• Ring
5	963678	1	• Hex. socket screw
6		1	• handle
7	853000	1	• Striker plate
8	852993	1	• Connector cap
9	853003	2	• Nail
10	853311	1	• Switch
11		1	• cable unit