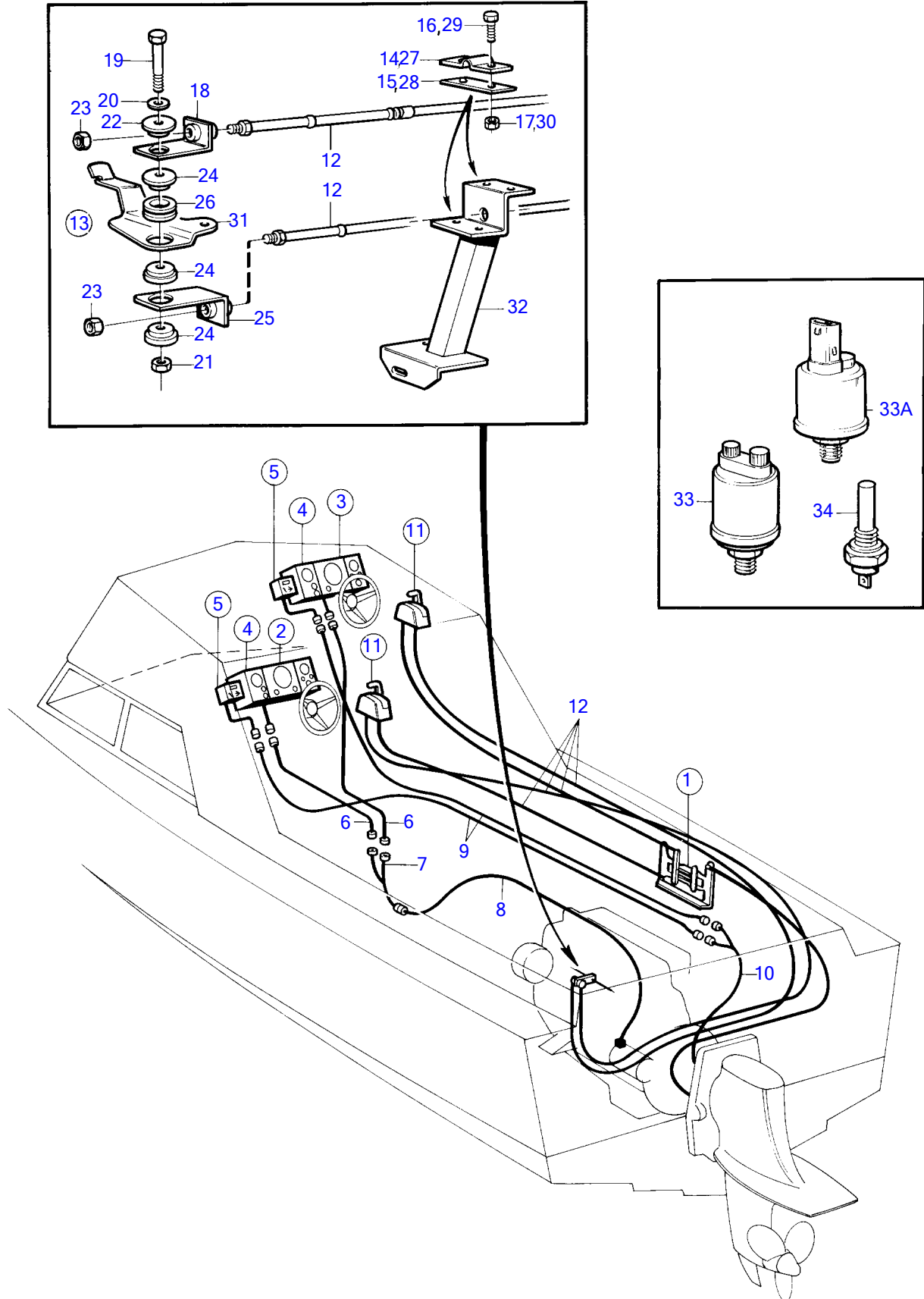


TMD41A, TMD41B, D41A, D41B, TAMD41A, TAMD41B, AQAD41A, AD41A, AD41B



10881

TMD41A, TMD41B, D41A, D41B, TAMD41A, TAMD41B, AQAD41A, AD41A, AD41B

| REF | PART NO. | QTY | DESCRIPTION | SEE SEC. | NOTES |
|-----|----------|-----|------------------------|----------|---|
| 1 | 828164 | 1 | Connection plate | | |
| 2 | | 1 | instrument panel | | See group 3 |
| 3 | | 1 | instrument panel | | See group 3 |
| 4 | 846786 | X | Instrument panel | | Gold coloured decor stripe., Repl by 858874 |
| | (858874) | 1 | Instrument panel | | White coloured decor stripe., Obsolete part |
| 6 | 846648 | X | Extension cable\verl | | L=3000mm |
| | 846649 | X | Extension cable\verl | | L=5000mm |
| | 846650 | X | Extension cable\verl | | L=7000mm |
| 7 | 1140317 | 1 | Y-koppling | | |
| 8 | | 1 | cable unit | | See group 3 |
| 11 | 853168 | X | Mounting kit | 19697 | |
| | 851602 | X | Mounting kit | 19696 | |
| 12 | | X | control cable | 19707 | |
| 13 | 858770 | 1 | Mounting kit | | |
| 14 | 21471054 | 1 | • Bracket | | |
| 15 | 819068 | 1 | • Washer | | |
| 16 | 956078 | 2 | • Cross recessed screw | | |
| 17 | 951674 | 2 | • Lock nut | | |
| 18 | 843107 | 1 | • Anchorage | | |
| 19 | 955275 | 1 | • Hexagon screw | | |
| 20 | 955892 | 1 | • Washer | | |
| 21 | 946035 | 1 | • Lock nut | | |
| 22 | 843105 | 1 | • Spacer washer | | |
| 23 | 951674 | 2 | Lock nut | | |
| 24 | 843105 | 3 | Spacer washer | | |
| 25 | 843107 | 1 | Anchorage | | |
| 26 | 843109 | 1 | Bushing | | |
| 27 | 21471054 | 1 | Bracket | | |
| 28 | 819068 | 1 | Washer | | |
| 29 | 956078 | 2 | Cross recessed screw | | |
| 30 | 951674 | 2 | Lock nut | | |
| 31 | | 1 | bracket | | See group 2D |
| 32 | | 1 | bracket | | See group 2D |
| 33 | 843232 | 1 | Oil pressure sensor | | Early type |
| 33A | 862568 | 1 | Oil pressure sensor | | Late type |
| 34 | 862567 | 1 | Temperature sensor | | For engines with 1,5 pole electrical system |