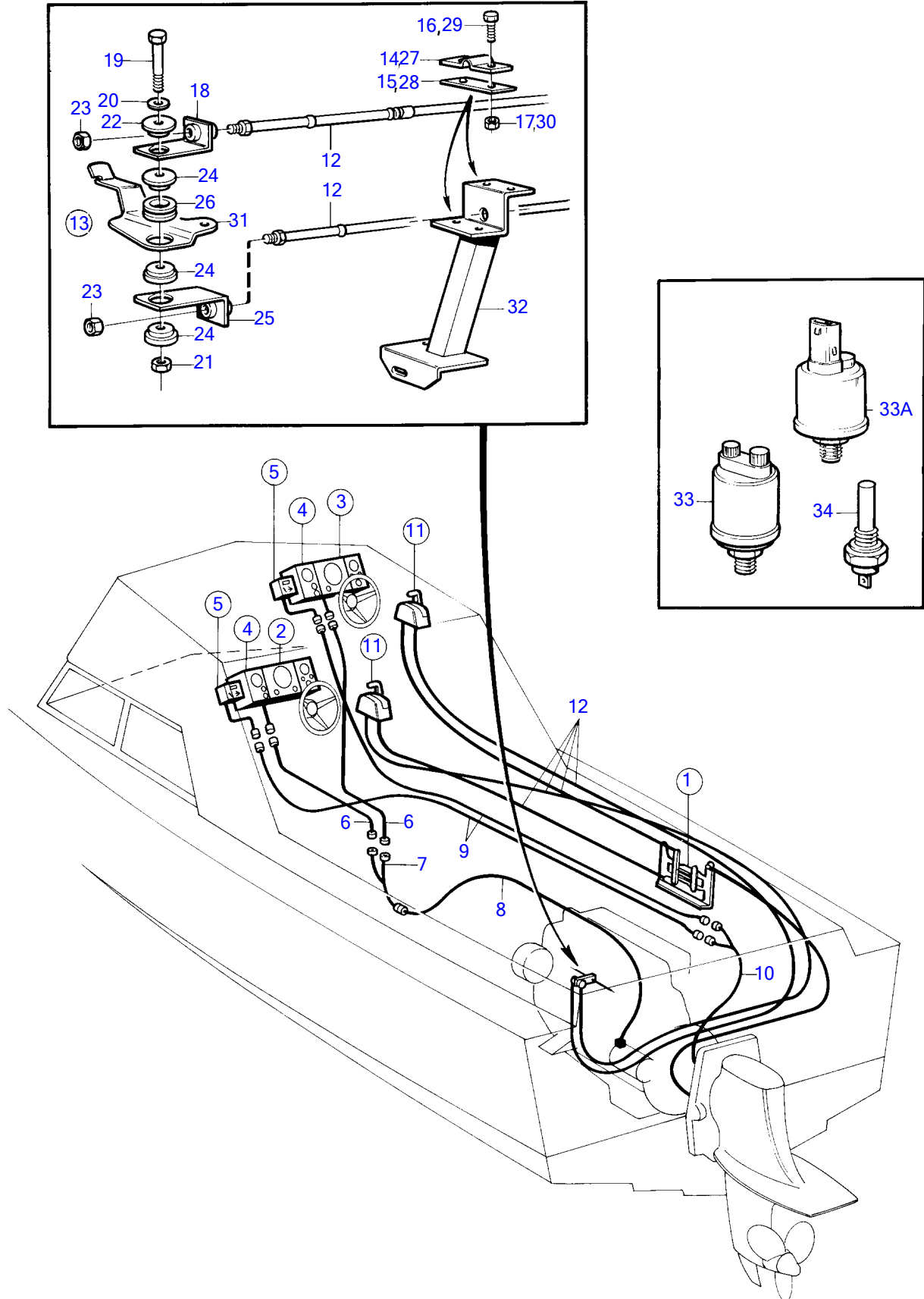


TMD41A, TMD41B, D41A, D41B, TAMD41A, TAMD41B, AQAD41A, AD41A, AD41B



10881

TMD41A, TMD41B, D41A, D41B, TAM41A, TAM41B, AQAD41A, AD41A, AD41B

REF	PART NO.	QTY	DESCRIPTION	SEE SEC.	NOTES
1	828164	1	Connection plate		
			•	19667	
2		1	instrument panel		See group 3
3	838810	1	Instrument panel		Gold coloured decor stripe., Repl by 858868
			•	19637	
	858868	1	Instrument panel		White coloured decor stripe., Repl by 864043
			•	19637	
	864043	1	Instrument panel		White coloured decor stripe.
			•	19637	
4	846786	X	Instrument panel		Gold coloured decor stripe., Repl by 858874
			•	19635	
			•	19635	
5	828731	2	Trimmer	19640	
6	846648	X	Extension cable\verl		L=3000mm
	846649	X	Extension cable\verl		L=5000mm
	846650	X	Extension cable\verl		L=7000mm
7	1140317	1	Y-koppling		
8		1	• cable unit		See group 3
9	853052	X	Extension cable\verl		L=3000mm
10		1	• cable unit	19640	
11	853168	X	Mounting kit	19697	
	851602	X	Mounting kit	19696	
12		X	control cable	19707	
13	858770	1	Mounting kit		
14	21471054	1	• Bracket		
15	819068	1	• Washer		
16	956078	2	• Cross recessed screw		
17	951674	2	• Lock nut		
18	843107	1	• Anchorage		
19	955275	1	• Hexagon screw		
20	955892	1	• Washer		
21	946035	1	• Lock nut		
22	843105	1	• Spacer washer		
23	951674	2	Lock nut		
24	843105	3	Spacer washer		
25	843107	1	Anchorage		
26	843109	1	Bushing		
27	21471054	1	Bracket		
28	819068	1	Washer		
29	956078	2	Cross recessed screw		
30	951674	2	Lock nut		
31		1	bracket		See group 2D
32		1	bracket		See group 2D
33	843232	1	Oil pressure sensor		Early type
33A	862568	1	Oil pressure sensor		Late type
34	840074	1	Temperature sensor		
	862567	1	Temperature sensor		For engines with 1,5 pole electrical system