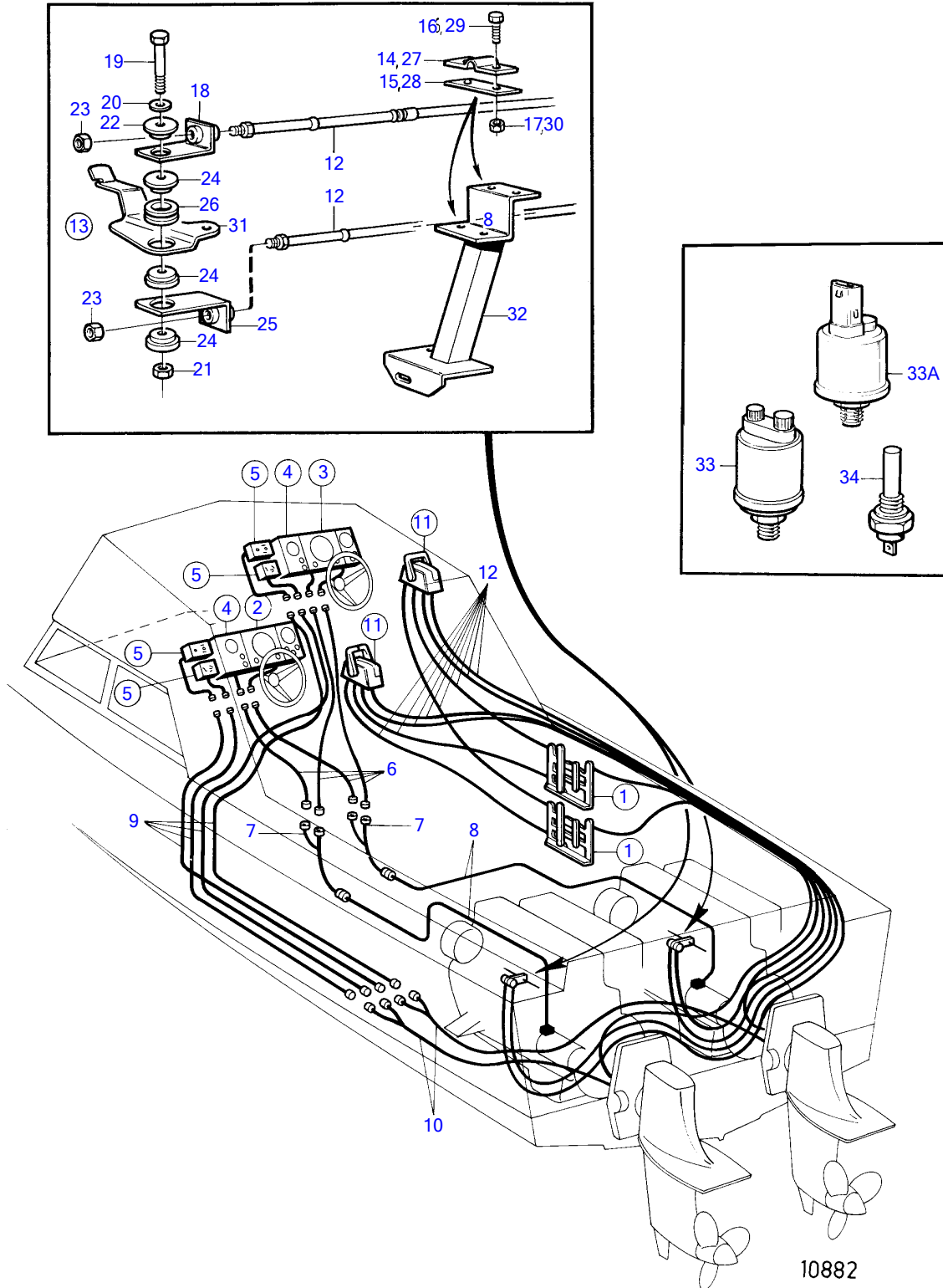


TMD41A, TMD41B, D41A, D41B, TAMD41A, TAMD41B, AQAD41A, AD41A, AD41B



TMD41A, TMD41B, D41A, D41B, TAMD41A, TAMD41B, AQAD41A, AD41A, AD41B

REF	PART NO.	QTY	DESCRIPTION	SEE SEC.	NOTES
1	828164	2	Connection plate		
2		2	instrument panel		See group 3
3	(858086)	2	Instrument panel, instrument panel components		Repl by 858866, Obsolete part
	(858866)	2	Instrument panel		Obsolete part
4	846786	X	Instrument panel		Gold coloured decor stripe., Repl by 858874
	(858874)	X	Instrument panel		White coloured decor stripe., Obsolete part
6	846648	X	Extension cable\verl		L=3000mm
	846649	X	Extension cable\verl		L=5000mm
	846650	X	Extension cable\verl		L=7000mm
7	1140317	2	Y-koppling		
8		2	cabl unit		See group 3
11	853169	X	Mounting kit	19698	
	851603	X	Mounting kit	19696	
12		X	control cable	19707	
13	858770	2	Mounting kit		
14	21471054	2	• Bracket		
15	819068	2	• Washer		
16	956078	4	• Cross recessed screw		
17	951674	4	• Lock nut		
18	843107	2	• Anchorage		
19	955275	2	• Hexagon screw		
20	955892	2	• Washer		
21	946035	2	• Lock nut		
22	843105	2	• Spacer washer		
23	951674	4	Lock nut		
24	843105	6	Spacer washer		
25	843107	2	Anchorage		
26	843109	2	Bushing		
27	21471054	2	Bracket		
28	819068	2	Washer		
29	956078	4	Cross recessed screw		
30	951674	4	Lock nut		
31		2	bracket		See group 2D
32		2	bracket		See group 2D
33	843232	2	Oil pressure sensor		Early type
33A	862568	2	Oil pressure sensor		Late type
34	862567	2	Temperature sensor		For engines with 1,5 pole electrical system