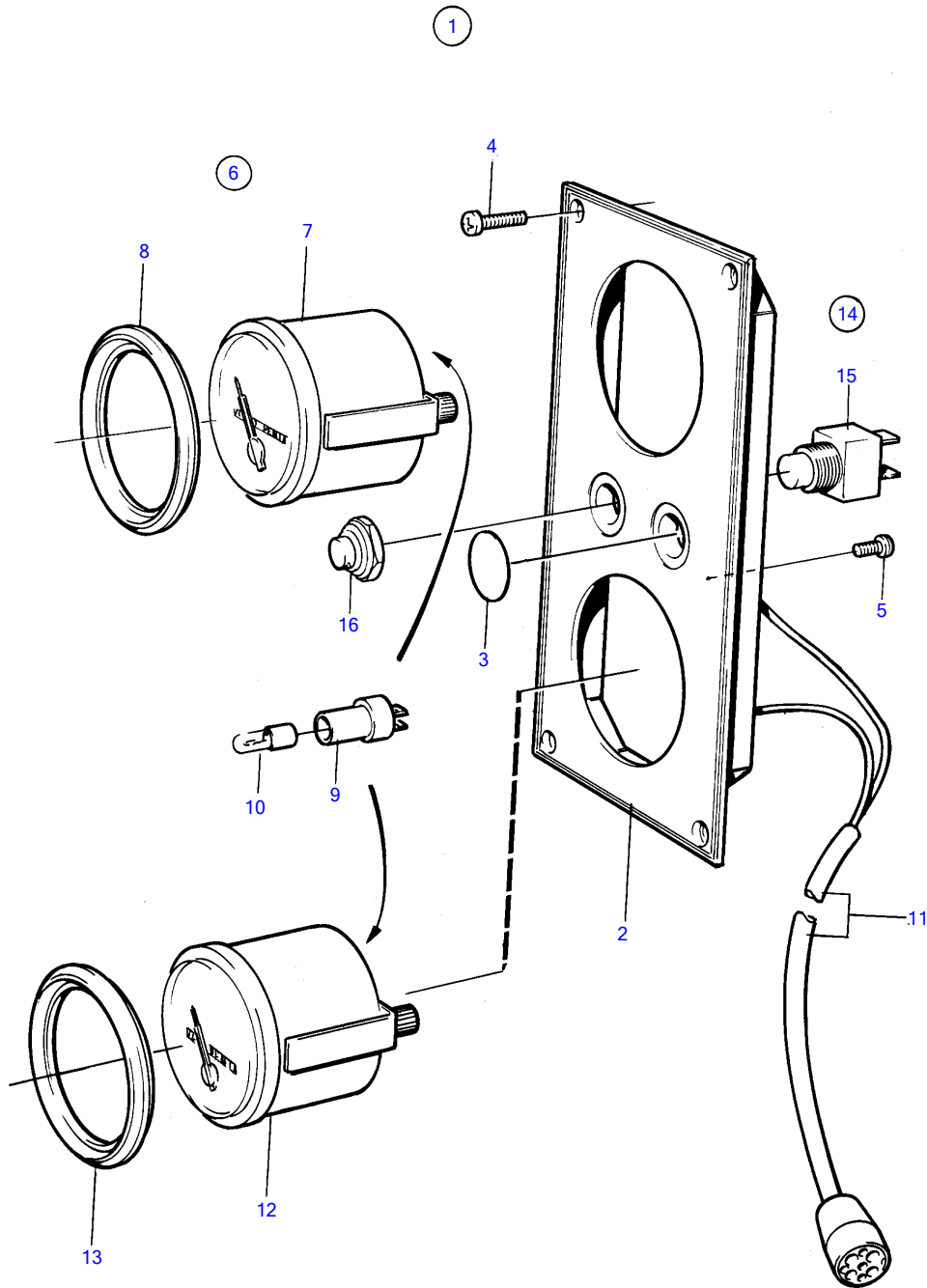


TMD41A, TMD41B, D41A, D41B, TAMD41A, TAMD41B, AQAD41A, AD41A, AD41B



6709

TMD41A, TMD41B, D41A, D41B, TAMD41A, TAMD41B, AQAD41A, AD41A, AD41B

REF	PART NO.	QTY	DESCRIPTION	NOTES
6	858877	1	Hour counter kit	
7	828615	1	• Hour counter	
8	858643	1	• Front ring	White coloured decor stripe.
9	808175	1	• Lamp socket	
10	19923	1	• Bulb	12V
	182059	1	• Bulb	24V
11		X	• cables and terminals	See group 3
12		1	instrument	
13	858643	1	Front ring	White coloured decor stripe.
14	(828718)	1	Toggle switch	Obsolete part
	(828719)	1	Toggle switch	Obsolete part
15	828584	1	• Toggle switch	Closing during pressure and spring-loaded., To 828718
	828585	1	• Toggle switch	Closing-breaking., To 828719
16	828586	1	• Nut	