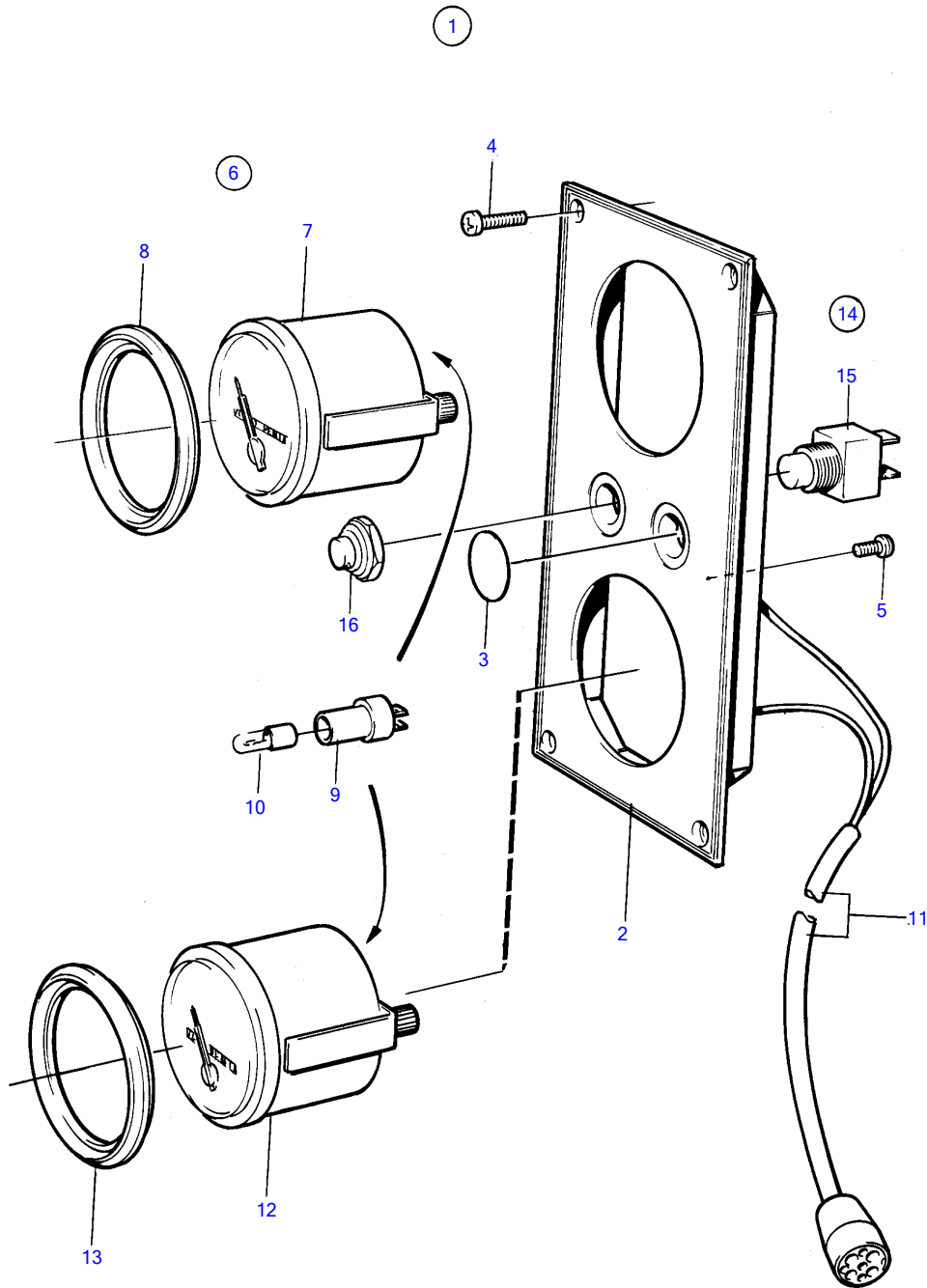


TMD41A, TMD41B, D41A, D41B, TAMD41A, TAMD41B, AQAD41A, AD41A, AD41B



6709

TMD41A, TMD41B, D41A, D41B, TAMD41A, TAMD41B, AQAD41A, AD41A, AD41B

| REF | PART NO. | QTY | DESCRIPTION | NOTES |
|-----|----------|-----|------------------------|---|
| 1 | (858874) | 1 | Instrument panel | Obsolete part |
| 2 | (858650) | 1 | • Instrument panel | Obsolete part |
| 3 | 828607 | 2 | • Cover plate | |
| 4 | 828647 | 4 | • Screw | |
| 5 | 949947 | 1 | • Cross recessed screw | (966832) |
| 12 | | 1 | instrument | |
| 13 | 828542 | 1 | Front ring | Gold coloured decor stripe., Repl by 858643 |
| | 858643 | 1 | Front ring | White coloured decor stripe. |
| 14 | (828718) | 1 | Toggle switch | Obsolete part |
| | (828719) | 1 | Toggle switch | Obsolete part |
| 15 | 828584 | 1 | • Toggle switch | Closing during pressure and spring-loaded., To 828718 |
| | 828585 | 1 | • Toggle switch | Closing-breaking., To 828719 |
| 16 | 828586 | 1 | • Nut | |