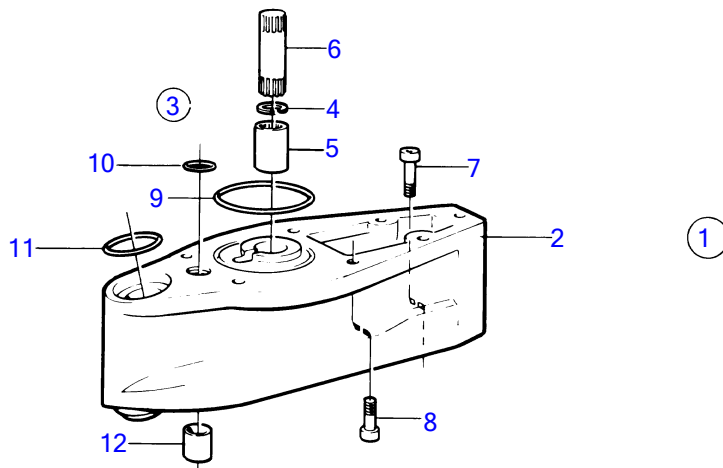


D41A, D41B, AQAD41A, AD41A, AD41B



9604

D41A, D41B, AQAD41A, AD41A, AD41B

| REF | PART NO. | QTY | DESCRIPTION         | NOTES                     |
|-----|----------|-----|---------------------|---------------------------|
| 1   | 814318   | 1   | Extension kit       | L=4"                      |
| 2   |          | 1   | • adapter           |                           |
| 3   | 875183   | 1   | • Splined sleeve    |                           |
| 4   | (914508) | 1   | • • Snap ring       | Obsolete part<br>(897368) |
| 5   | 875183   | 1   | • • Splined sleeve  |                           |
| 6   | 814321   | 1   | • Shaft             |                           |
| 7   | 941809   | 3   | • Hex. socket screw |                           |
| 8   | 941810   | 4   | • Hex. socket screw |                           |
| 9   | 925256   | 1   | • O-ring            |                           |
| 10  | 125017   | 1   | • O-ring            |                           |
| 11  | 941820   | 1   | • O-ring            |                           |
| 12  | 897823   | 1   | • Oil pipe          |                           |