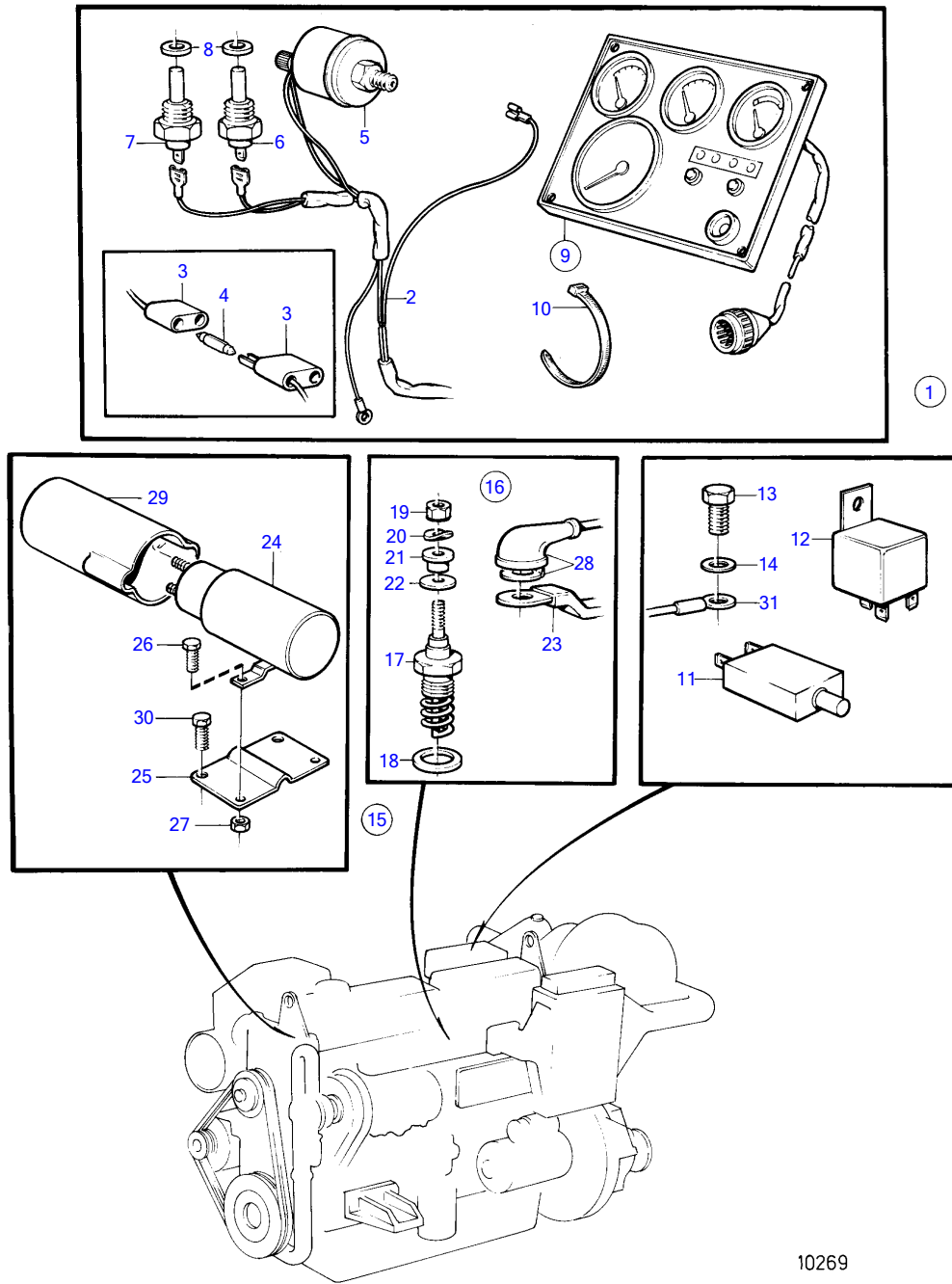


TMD41A, D41A, TAMD41A, AQAD41A, AD41A



10269

TMD41A, D41A, TAMD41A, AQAD41A, AD41A

REF	PART NO.	QTY	DESCRIPTION	SEE SEC.	NOTES
1	(859730)	1	Conversion kit		Obsolete part
2	(859049)	1	• Cable trunk		Obsolete part
3	966334	1	• • Fuse holder		
4	942785	1	• Fuse		
5	862155	1	• Oil pressure sensor		
6	858229	1	• Thermo monitor		
7	862154	1	• Temperature sensor		
8	957181	2	• Gasket		
9	864042	1	• Instrument panel		
			• •	19632	
10	948210	5	• Cable tie		
11	966689	1	• Fuse		
12	853545	1	• Relay kit		
13	956074	1	• Cross recessed screw		
14	942605	1	• Toothed washer		
15	(860342)	1	• Conversion kit		Obsolete part
16	876132	1	• • Glow plug		
17	859021	1	• • • Glow plug		
18	859211	1	• • • Sealing ring		
19	965483	1	• • • Flange nut		
20	941905	1	• • • Spring washer		
21	859328	1	• • • Thrust sleeve		
22		1	• • • o-ring		
23	859451	1	• • Rail		Glow plug 1-2
	859450	1	• • Rail		Glow plug 2-3
	859449	1	• • Rail		Glow plug 3-4
24	1577375	1	• • Relay		
25	(859069)	1	• • Bracket		Obsolete part
26	956076	2	• • Cross recessed screw		
27	965483	2	• • Flange nut		
28	(860330)	1	• • Cable kit		Obsolete part
		X	• • • cables, terminals		See group 3
29	1581123	1	• • Casing		
30		2	screw		See group 2B
31		X	cables and terminals		See group 3