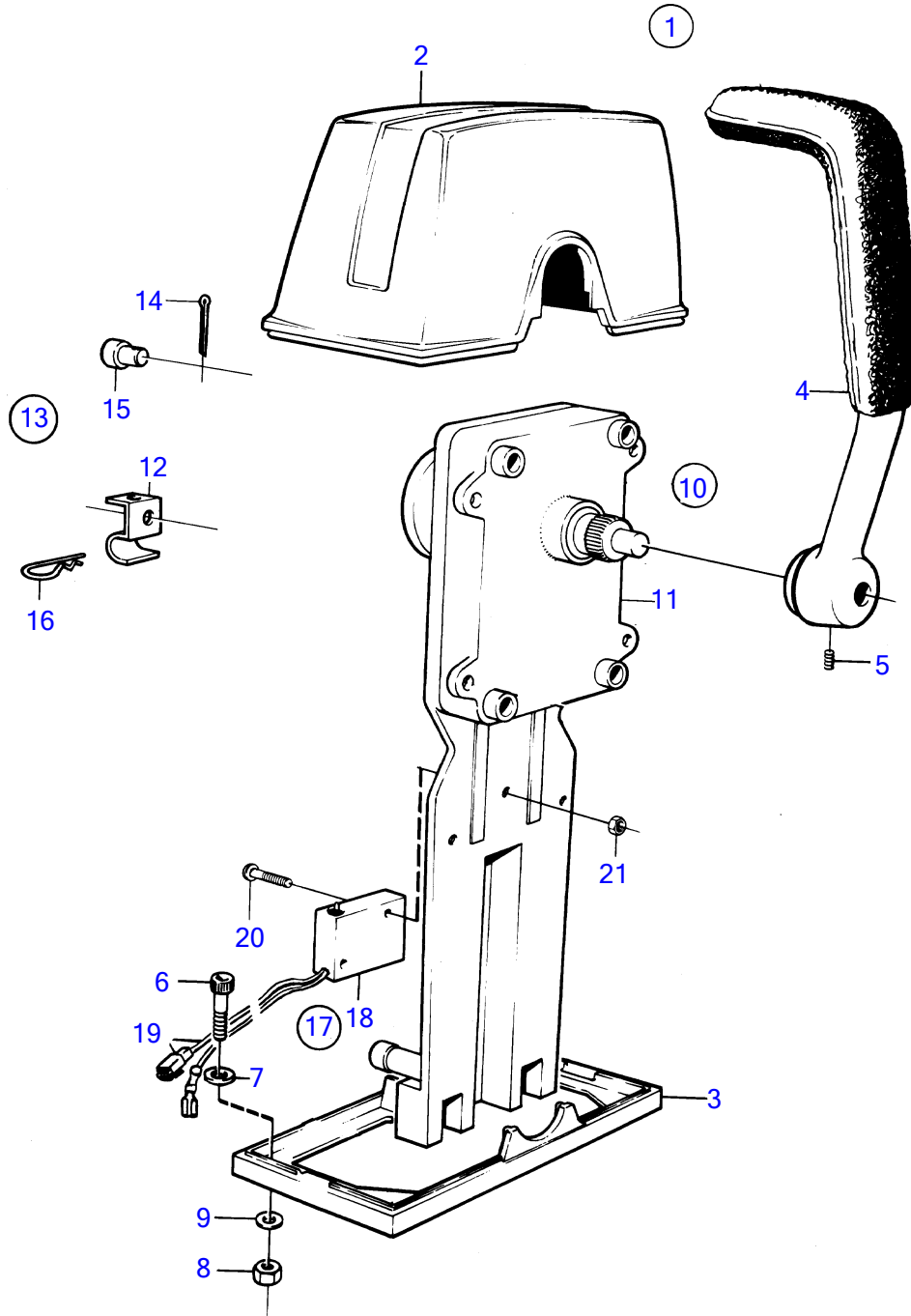


TMD41A, TMD41B, D41A, D41B, TAMD41A, TAMD41B, AQAD41A, AD41A, AD41B



9266

TMD41A, TMD41B, D41A, D41B, TAM41A, TAM41B, AQAD41A, AD41A, AD41B

REF	PART NO.	QTY	DESCRIPTION	NOTES
1	851603	1	Mounting kit	For twin installation
2	839477	1	• Cover	
3	839479	1	• Plate	
4	839475	2	• Hand lever	
5	839693	2	• Lock screw	
6	947671	6	• Hex. socket screw	
7	940090	2	• Washer	
8	955780	6	• Hexagon nut	
9	960138	6	• Washer	
10	851600	1	Control	
11	(851666)	1	• Control mechanism	Obsolete part
12	853423	1	• Retainer	
13	(851712)	1	• Connector kit	Obsolete part
14	17253	2	• • Split pin	
15	839638	2	• • Cube	
16	852924	1	• • Clip	
17	855352	2	Neutral position con	
18	850200	2	• Toggle switch	
19		X	• • cables and terminals	See group 3
20	946177	4	• Cross recessed screw	
21	947536	4	• Hexagon nut	