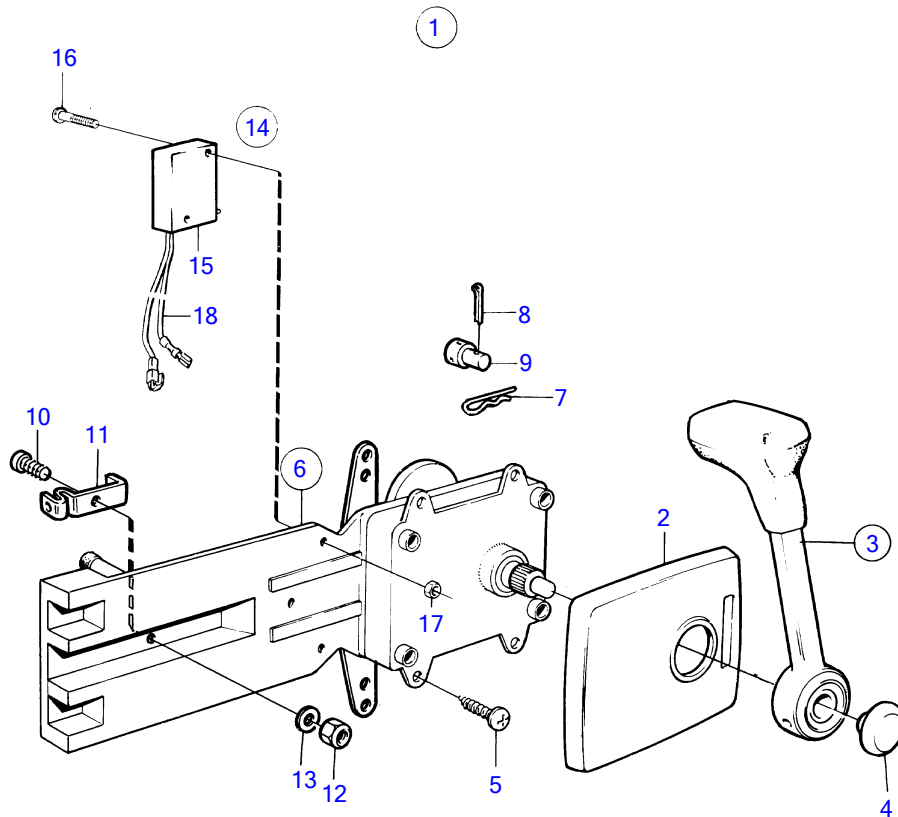


TMD41A, TMD41B, D41A, D41B, TAMD41A, TAMD41B, AQAD41A, AD41A, AD41B



9606

TMD41A, TMD41B, D41A, D41B, TAM41A, TAM41B, AQAD41A, AD41A, AD41B

REF	PART NO.	QTY	DESCRIPTION	SEE SEC.	NOTES
1	853102	1	Mounting kit, mounting kit cover		
2	1140048	1	• Cover		
3	852347	1	• Hand lever		
			• •	19699	
4	853004	1	• Push button		
5	955142	4	• Cross recessed screw		
6	851601	1	Control, control cable clips		
7	852924	1	• Clip		
8	17253	2	• Split pin		
9	839638	2	• Cube		
10	839664	1	• Screw		
11	853423	1	• Retainer		
12	946435	1	• Lock nut		
13	940275	1	• Washer		
14	855352	1	Neutral position con		
15	850200	1	• Toggle switch		
16	946177	2	• Cross recessed screw		
17	947536	2	• Hexagon nut		
18		X	• cables and terminals		See group 3