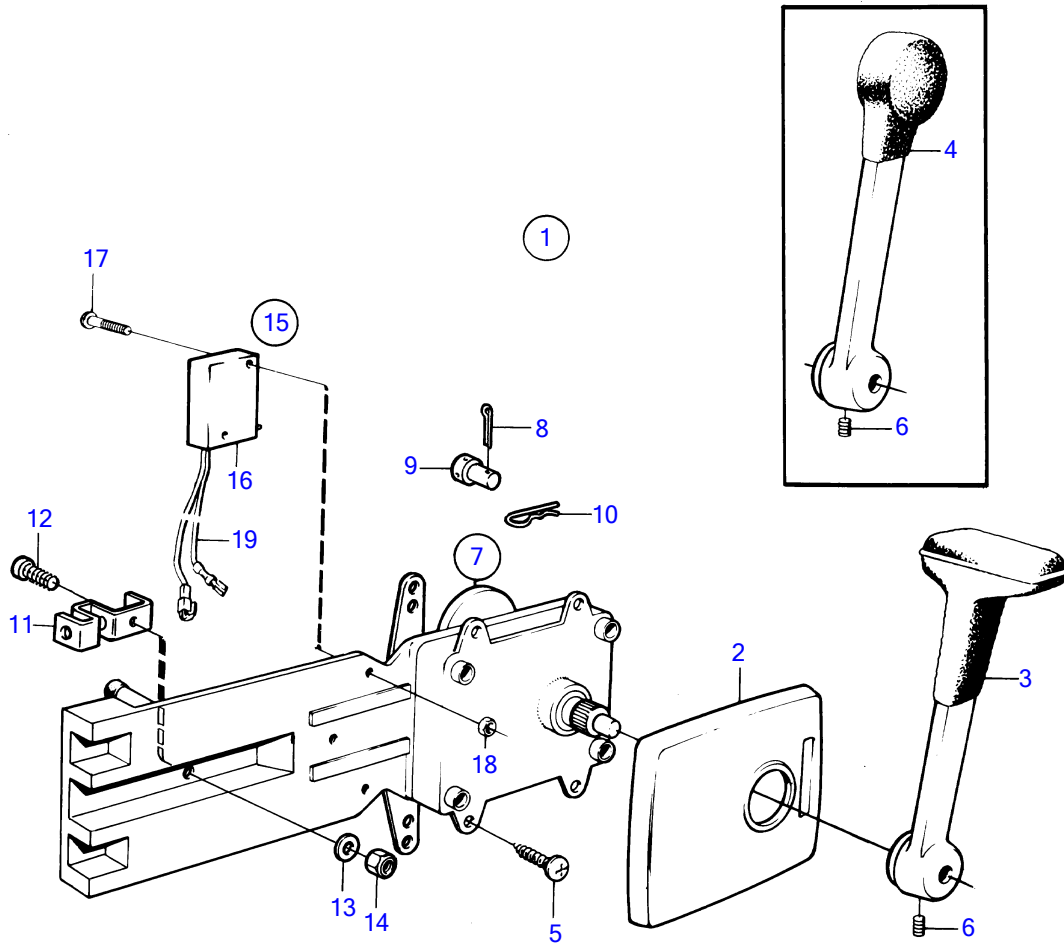


TMD41A, TMD41B, D41A, D41B, TAMD41A, TAMD41B, AQAD41A, AD41A, AD41B



9584

TMD41A, TMD41B, D41A, D41B, TAMD41A, TAMD41B, AQAD41A, AD41A, AD41B

| REF | PART NO. | QTY | DESCRIPTION | NOTES |
|-----|----------|-----|------------------------|---------------------------------|
| 1 | 851605 | 1 | Mounting kit | For sail boat., Repl by 1140093 |
| 2 | 1140048 | 1 | • Cover | |
| 4 | 839521 | 1 | • Hand lever | For sail boat. |
| 5 | 955142 | 4 | • Cross recessed screw | |
| 6 | 839693 | 1 | • Lock screw | |
| 7 | 851601 | 1 | Control | Repl by 1140095 |
| 8 | 17253 | 2 | • Split pin | |
| 9 | 839638 | 2 | • Cube | |
| 10 | 852924 | 1 | • Clip | |
| 11 | 853423 | 1 | • Retainer | |
| 12 | 839664 | 1 | • Screw | |
| 13 | 940275 | 1 | • Washer | |
| 14 | 946435 | 1 | • Lock nut | |
| 15 | 855352 | 1 | Neutral position con | |
| 16 | 850200 | 1 | • Toggle switch | |
| 17 | 946177 | 2 | • Cross recessed screw | |
| 18 | 947536 | 2 | • Hexagon nut | |
| 19 | | X | • cables and terminals | See group 3 |
| | | X | • electrical materials | See group 3 |