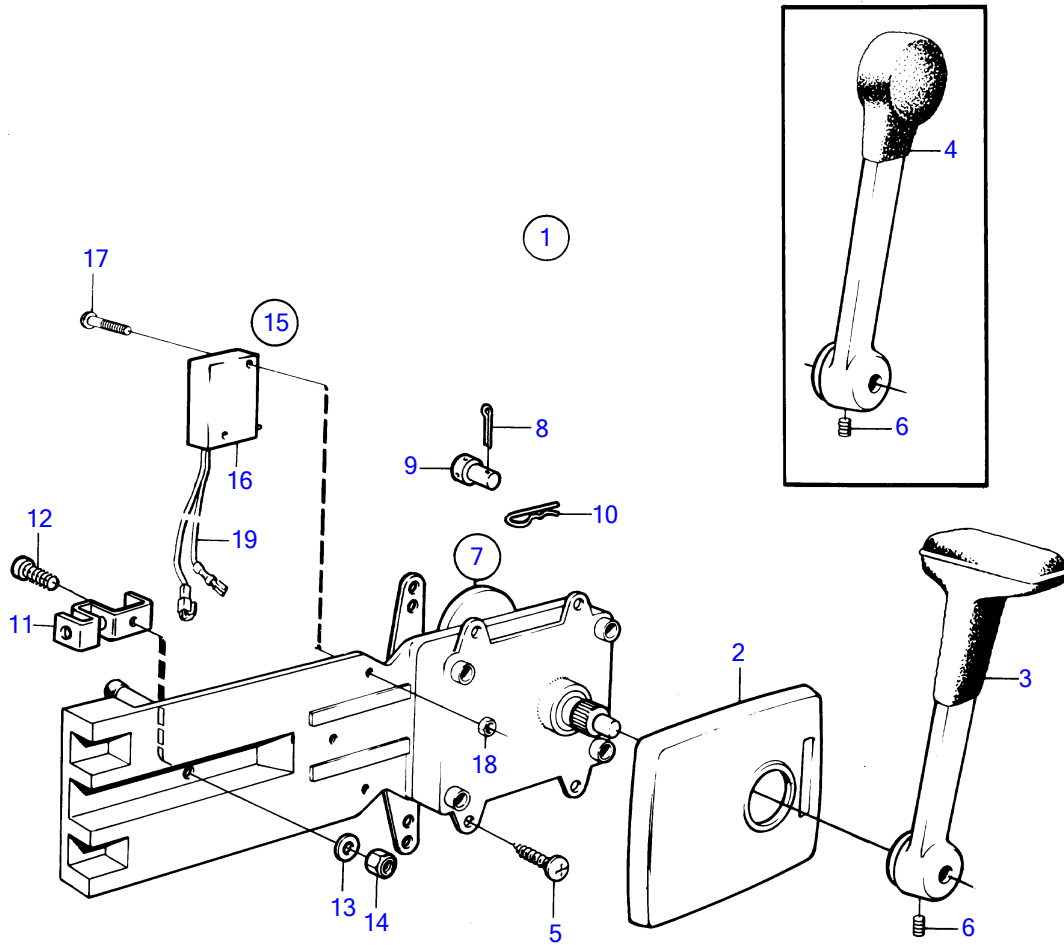


TMD41A, TMD41B, D41A, D41B, TAMD41A, TAMD41B, AQAD41A, AD41A, AD41B



9584

TMD41A, TMD41B, D41A, D41B, TAMD41A, TAMD41B, AQAD41A, AD41A, AD41B

REF	PART NO.	QTY	DESCRIPTION	NOTES
1	851604	1	Mounting kit	Repl by 1140092
2	1140048	1	• Cover	
3	839520	1	• Hand lever	
5	955142	4	• Cross recessed screw	
6	839693	1	• Lock screw	
7	851601	1	Control	Repl by 1140095
8	17253	2	• Split pin	
9	839638	2	• Cube	
10	852924	1	• Clip	
11	853423	1	• Retainer	
12	839664	1	• Screw	
13	940275	1	• Washer	
14	946435	1	• Lock nut	
15	855352	1	Neutral position con	
16	850200	1	• Toggle switch	
17	946177	2	• Cross recessed screw	
18	947536	2	• Hexagon nut	
19		X	• cables and terminals	See group 3
		X	• electrical materials	See group 3