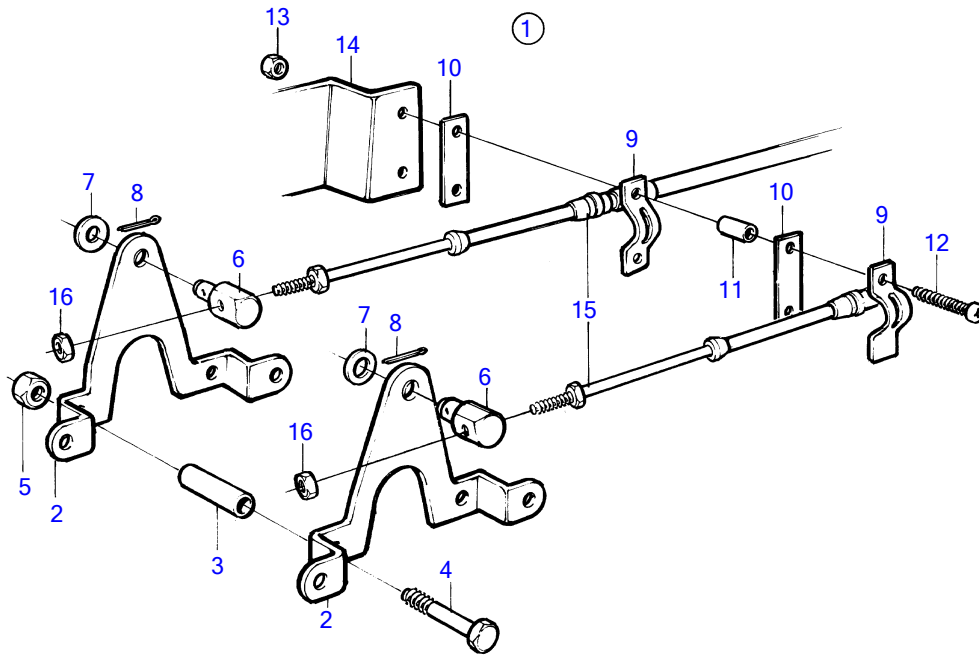


TMD41A, TMD41B, D41A, D41B, TAMD41A, TAMD41B, AQAD41A, AD41A, AD41B



9531

TMD41A, TMD41B, D41A, D41B, TAMD41A, TAMD41B, AQAD41A, AD41A, AD41B

REF	PART NO.	QTY	DESCRIPTION	SEE SEC.	NOTES
1	(854293)	1	Connector kit		Obsolete part
2	853922	2	• Intermediate lever		
3	853921	2	• Spacer sleeve		
4	955276	2	• Hexagon screw		
5	946035	2	• Lock nut		
6	804312	2	• Cube		
7	955892	2	• Washer		
8	17276	2	• Split pin		
9	21471054	2	• Bracket		
10	819068	2	• Washer		
11	830674	2	• Spacer sleeve		
12	955250	2	• Hexagon screw		
13	965483	2	• Flange nut		
14		1	bracket		See group 4B
15		X	control cable	19707	
16	951674	2	Lock nut		