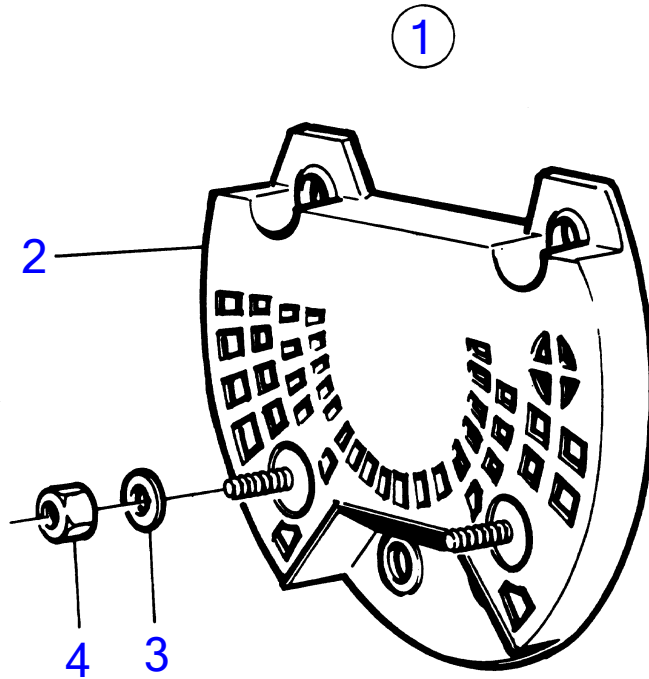


TMD41A, TMD41B, D41A, D41B, TAMD41A, TAMD41B, AQAD41A, AD41A, AD41B



10164

TMD41A, TMD41B, D41A, D41B, TAMD41A, TAMD41B, AQAD41A, AD41A, AD41B

| REF | PART NO. | QTY | DESCRIPTION      | NOTES  |
|-----|----------|-----|------------------|--|
| 1   | 858968   | 1   | Junction block   | For charging of 2 batteries., For alternators 12V, 50A and 24V, 55A. |
| 2   |          | 1   | • charging relay |  |
| 3   | 941906   | 2   | • Spring washer  |  |
| 4   | 955781   | 2   | • Hexagon nut    |  |
|     |          |     |                  |  |