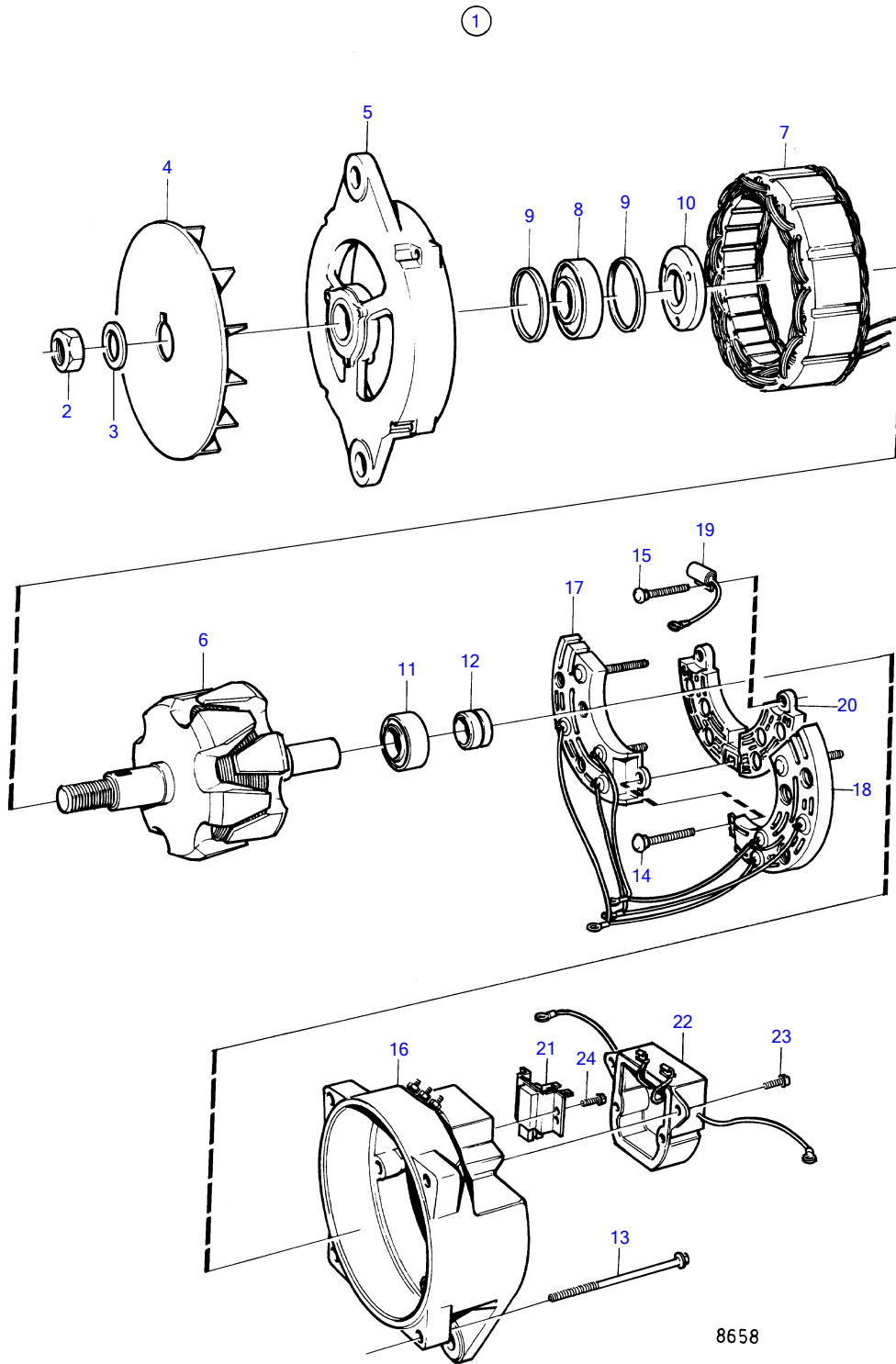


TMD41A, TMD41B, D41A, D41B, TAMD41A, TAMD41B, AQAD41A, AD41A, AD41B



TMD41A, TMD41B, D41A, D41B, TAMD41A, TAMD41B, AQAD41A, AD41A, AD41B

REF	PART NO.	QTY	DESCRIPTION	NOTES
1	849747	1	Alternator	For 12 voltage electric system.
	3803577	1	Alternator, exch	For 12 voltage electric system.
2		1	• nut	
3		1	• washer	
4		1	• Fan	
5		1	•	
6	(862528)	1	• Rotor	Obsolete part
7	(862529)	1	• Stator	Obsolete part
8	862509	1	• Bearing	
9	(862532)	2	• Seal	Obsolete part
10		1	•	
11	(862533)	1	• Bearing	Obsolete part
12	862511	1	• Slip ring	(862538)
13		4	• screw	
14		1	• screw	
15		1	• screw	
16		1	•	
17	(862534)	1	• Diode	Pos., Obsolete part
18	(862535)	1	• Rectifier diode	Neg., Obsolete part
19		1	• capacitor	
20		1	• insulating plate	
21	862536	1	• Brush set	
22	862539	1	• Governor	
23		4	• screw	
24		2	• screw	