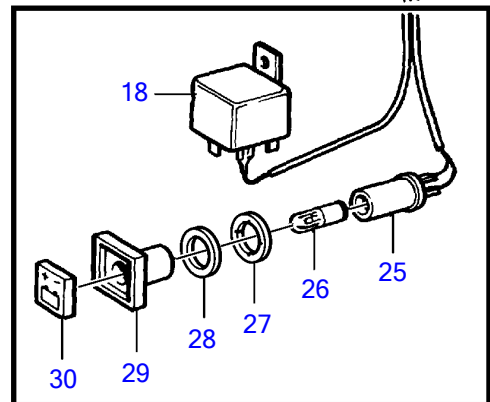
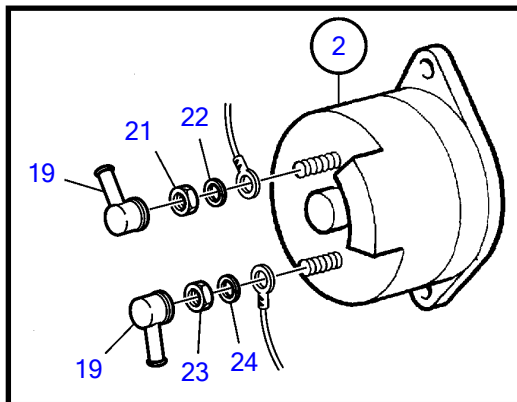
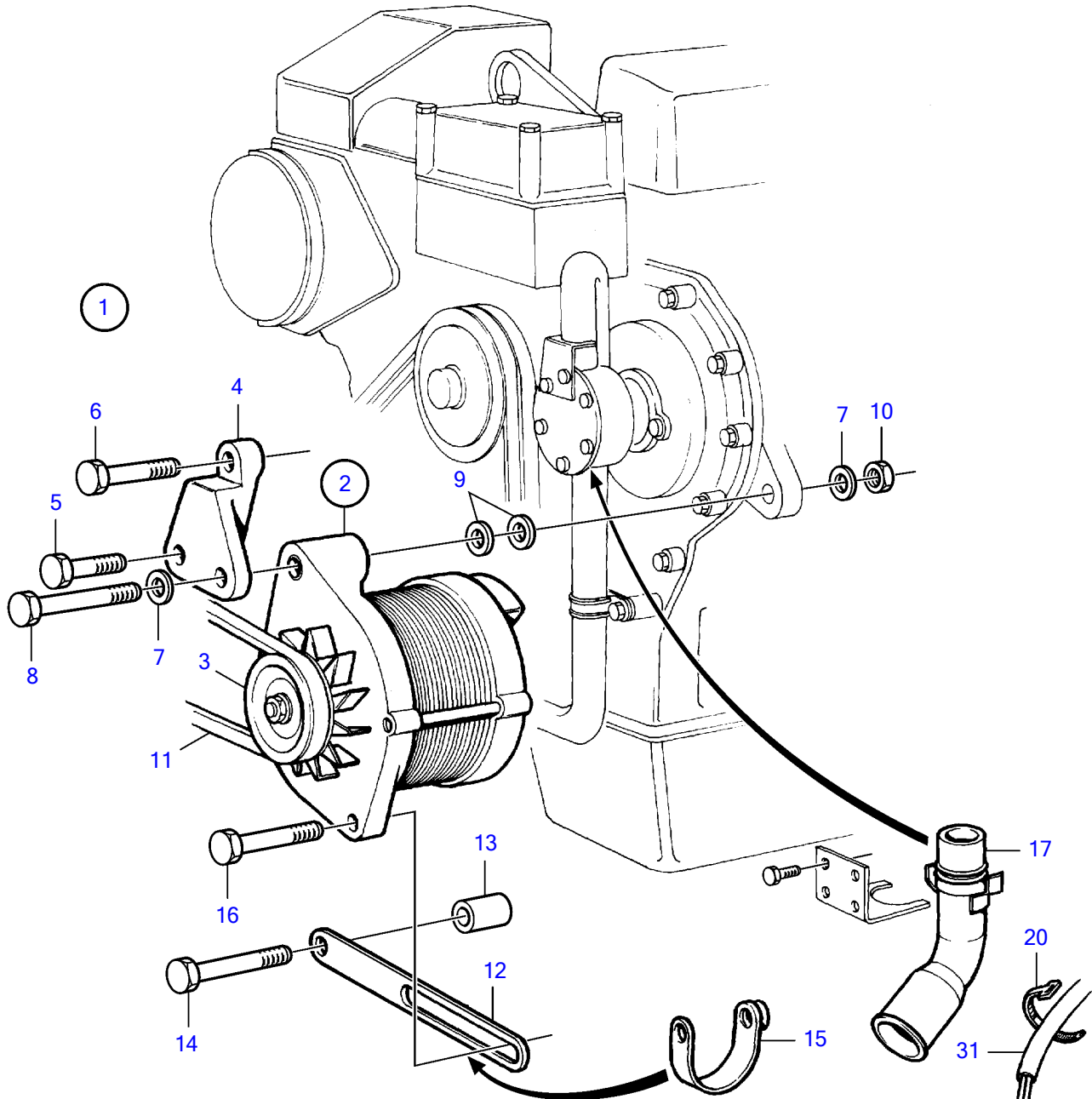


TMD41A, TMD41B, D41A, D41B, TAMD41A, TAMD41B, AQAD41A, AD41A, AD41B



TMD41A, TMD41B, D41A, D41B, TAMD41A, TAMD41B, AQAD41A, AD41A, AD41B

REF	PART NO.	QTY	DESCRIPTION	NOTES
1	858679	1	Alternator kit	24V
2	849602	1	• Alternator, generator	For 24 voltage electric system., 28V 30A
3	841813	1	• Pulley	
4	843057	1	• Bracket	
5	965183	1	• Flange screw	
6	965180	1	• Flange screw	
7	941908	2	• Spring washer	
8	955332	1	• Hexagon screw	
9	192495	2	• Washer	
10	971095	1	• Flange nut	(945409)
11	967109	1	• V-belt	(958490)
12	843055	1	• Tensioner	
13	843075	1	• Spacer sleeve	
14	965183	1	• Flange screw	
15	466735	1	• Tensioning eyelet	
16	947760	1	• Flange screw	
17	858559	1	• Hose connection	
18	853545	1	• Relay kit	(853544)
19	842150	1	• Protective cap	
20	948210	10	• Cable tie	
21	955780	1	• Hexagon nut	
22	941905	1	• Spring washer	
23	955781	1	• Hexagon nut	
24	941906	1	• Spring washer	
25	808175	1	• Lamp socket	
26	182059	1	• Bulb	
27	967583	1	• Retainer	
28	829714	1	• Sealing ring	
29	838455	1	• Retainer	
30	838457	1	• Symbol strip	
31		X	• cables and terminals	See group 3