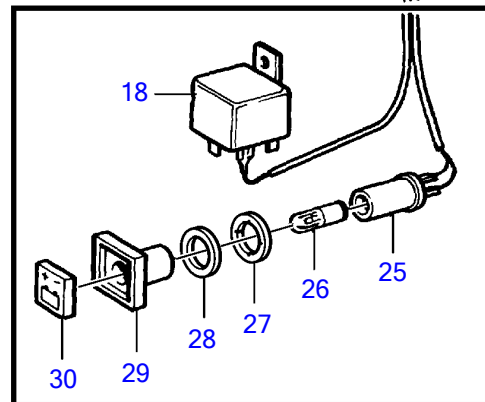
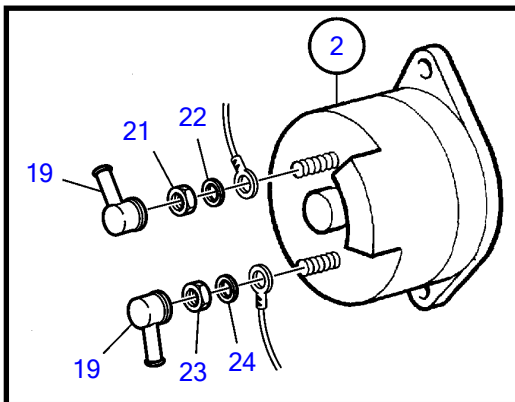
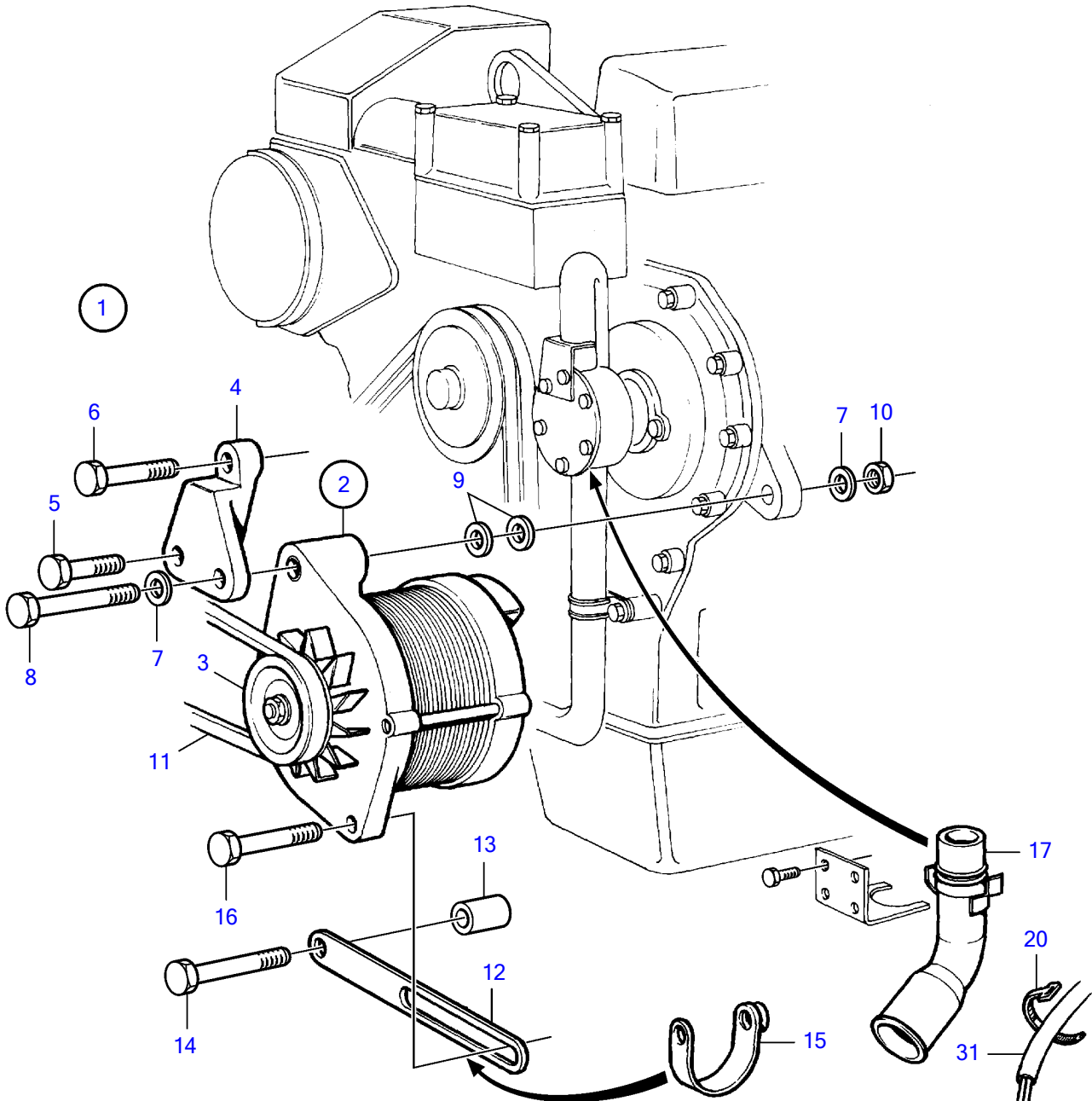


TMD41A, TMD41B, D41A, D41B, TAMD41A, TAMD41B, AQAD41A, AD41A, AD41B



TMD41A, TMD41B, D41A, D41B, TAMD41A, TAMD41B, AQAD41A, AD41A, AD41B

REF	PART NO.	QTY	DESCRIPTION	SEE SEC.	NOTES
1	(858620)	1	Alternator kit		12V, Obsolete part
2	858838	1	• Alternator, generator components		For 12 voltage electric system., Also available as an exchange part., 14V 50A
			• •		See group 3
			• •	19624	
3	841813	1	• Pulley		
4	843057	1	• Bracket		
5	965183	1	• Flange screw		
6	965180	1	• Flange screw		
7	941908	2	• Spring washer		
8	955332	1	• Hexagon screw		
9	192495	2	• Washer		
10	971095	1	• Flange nut		(945409)
11	967109	1	• V-belt		(958490)
12	843055	1	• Tensioner		
13	843075	1	• Spacer sleeve		
14	965183	1	• Flange screw		
15	466735	1	• Tensioning eyelet		
16	947760	1	• Flange screw		
17	858559	1	• Hose connection		
18	853545	1	• Relay kit		(853544)
19	842150	2	• Protective cap		
20	948210	10	• Cable tie		
21	955780	1	• Hexagon nut		
22	941905	1	• Spring washer		
23	955781	1	• Hexagon nut		
24	941906	1	• Spring washer		
25	808175	1	• Lamp socket		
26	19923	1	• Bulb		
27	967583	1	• Retainer		
28	829714	1	• Sealing ring		
29	838455	1	• Retainer		
30	838457	1	• Symbol strip		
31		X	• cables and terminals		See group 3