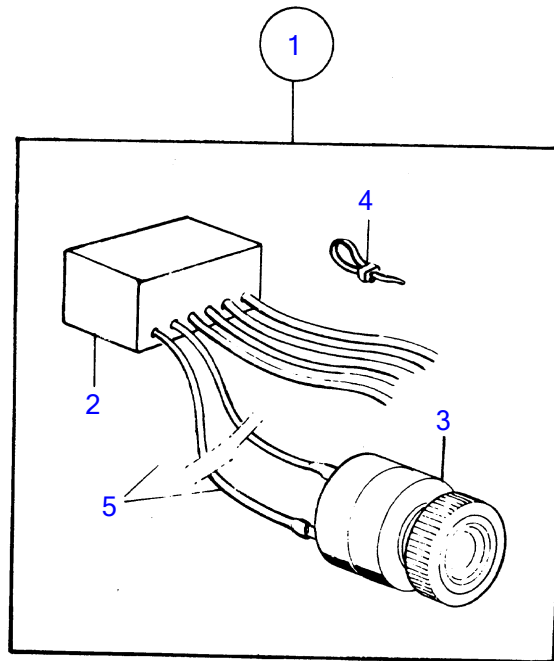


TMD41A, TMD41B, D41A, D41B, TAMD41A, TAMD41B, AQAD41A, AD41A, AD41B



30 24

TMD41A, TMD41B, D41A, D41B, TAMD41A, TAMD41B, AQAD41A, AD41A, AD41B

REF	PART NO.	QTY	DESCRIPTION	NOTES
1	(827941)	1	Alarm kit	24V, Obsolete part
2	(831627)	1	• Thermo monitor	24V, Obsolete part
3	827597	1	• Horn unit	
4	948210	2	• Cable tie	(827353)
5		X	• cables and terminals	See group 3