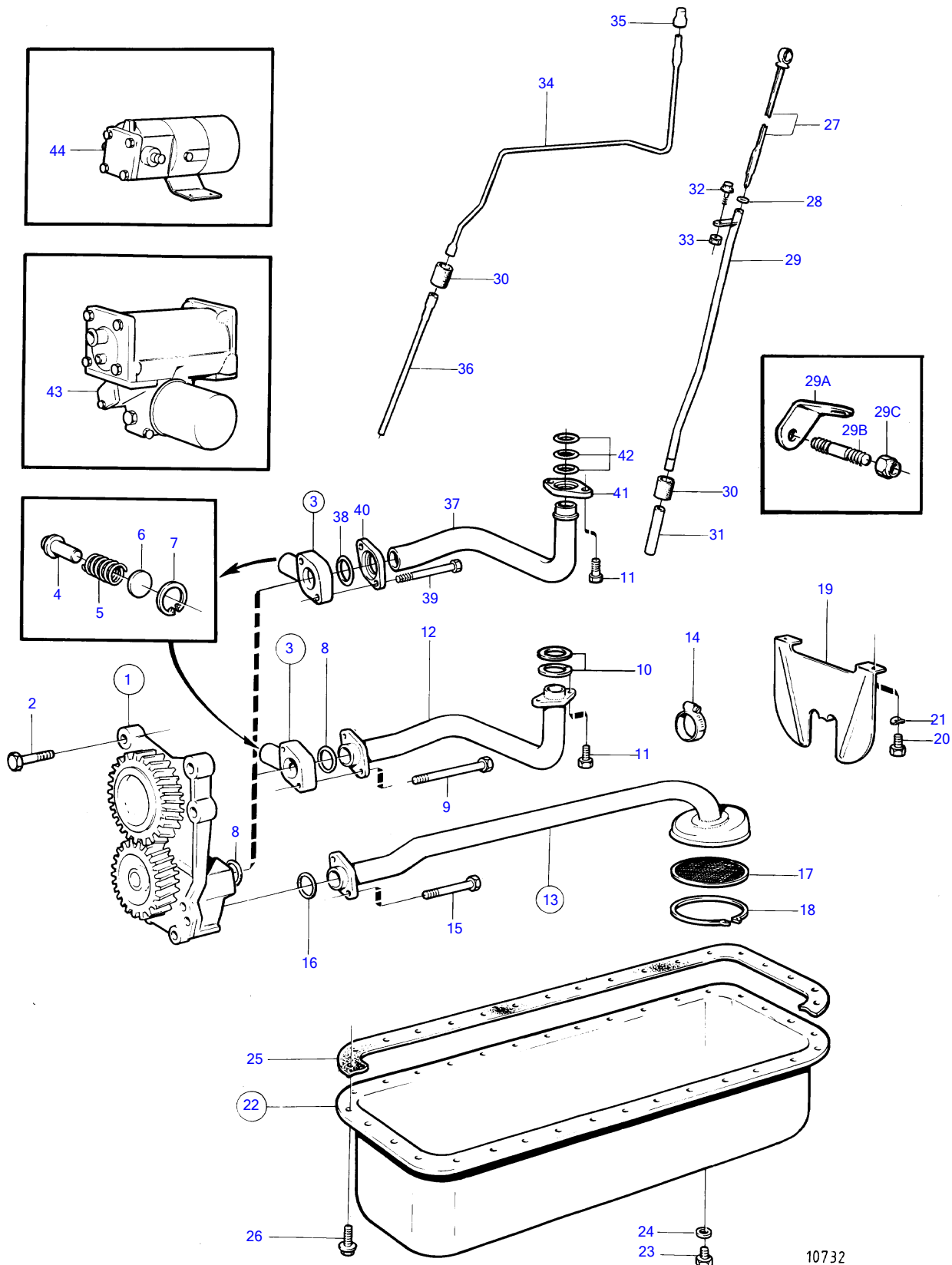


TMD41A, D41A, TAMD41A, AQAD41A, AD41A



10732

## TMD41A, D41A, TAMD41A, AQAD41A, AD41A

| REF | PART NO. | QTY | DESCRIPTION                            | SEE SEC.  | NOTES  |
|-----|----------|-----|--|-----------|--|
| 1   | 1542210  | 1   | Oil pump, oil pump                     |           |  |
|     |          |     | •                                      | 19434     |  |
|     | 860721   | 1   | Oil pump                               |           |  |
|     |          |     | •                                      | 19434     |  |
| 2   | 948217   | 4   | Flange screw                           |           |  |
| 3   | 1542255  | 1   | Reduction valve                        |           | Only for pipe 1542385, Repl by 860790  |
|     | 860790   |     | Reduction valve                        |           |  |
|     |          |     | Bulletin 44-32                         | 44-32-EN  | Reduction Valve D31, 41, 42  |
|     |          |     | Bulletin 44-32A                        | 44-32A-EN | Reduction Valve D31, 41, 42  |
| 4   | 471115   | 1   | • Reduction valve                      |           |  |
| 5   | 1542257  | 1   | • Spring                               |           |  |
| 6   | 948343   | 1   | • Disc                                 |           |  |
| 7   | 914506   | 1   | • Snap ring                            |           |  |
| 8   | 469482   | 2   | Sealing ring                           |           |  |
| 9   | 965183   | 2   | Flange screw                           |           |  |
| 10  | 1542385  | 2   | Sealing ring                           |           |  |
| 11  | 946173   | 2   | Flange screw                           |           |  |
| 12  | 1542383  | 1   | Pressure pipe                          |           | Replaced by 1ea pipe 860821, 1ea relief valve 860790, 1ea seal ring 1545271, 2ea screw 965184, 1ea flange 1545272, 1ea flange 1542248 and 3ea seal ring 1542385. |
| 13  | 829491   | 1   | Suction pipe                           |           |  |
| 14  | 943473   | 1   | • Hose clamp                           |           |  |
| 15  | 965217   | 2   | Flange screw                           |           |  |
| 16  | 949657   | 1   | O-ring                                 |           |  |
| 17  | 403483   | 1   | Wire gauze                             |           |  |
| 18  | 118123   | 1   | Snap ring                              |           |  |
| 19  | 829492   | 1   | Baffle plate                           |           |  |
| 20  | 944926   | 2   | Flange screw                           |           |  |
| 21  | 942385   | 2   | Disc spring                            |           |  |
| 22  | 844909   | 1   | Oil sump                               |           |  |
| 23  | 948187   | 1   | • Plug                                 |           |  |
| 24  | 18818    | 1   | • Gasket                               |           |  |
| 25  | 860685   | 1   | Gasket                                 |           | (1542247)  |
| 26  | 946440   | 32  | Flange screw                           |           |  |
| 27  | 838801   | 1   | Oil dipstick                           |           |  |
| 28  | 949187   | 1   | • O-ring                               |           |  |
| 29  | 838791   | 1   | Tube                                   |           |  |
| 29A | 858832   | 1   | Bracket                                |           | Product no. 867977, 868158, 868429, 868430, 868436   |
| 29B |          | 1   | studbolt                               |           | See group 2B   |
| 29C |          | 1   | nut                                    |           | See group 2B   |
| 30  | 843533   | 2   | Rubber cushion                         |           |  |
| 31  | 843692   | 1   | Tube                                   |           |  |
| 32  | 965175   | 1   | Flange screw                           |           |  |
| 33  | 945407   | 1   | Flange nut                             |           |  |
| 34  | 838792   | 1   | Oil scavenging pipe                    |           |  |
| 35  | 943835   | 1   | Plug                                   |           |  |
| 36  | 829579   | 1   | Tube                                   |           |  |
| 37  | 860821   | 1   | Delivery pipe                          |           |  |
| 38  | 1545271  | 1   | Sealing ring                           |           |  |
| 39  | 965184   | 2   | Flange screw                           |           |  |
| 40  | 1545272  | 1   | Flange                                 |           |  |
| 41  | 1542248  | 1   | Flange                                 |           |  |
| 42  | 1542385  | 3   | Sealing ring                           |           |  |
| 43  |          | X   | oil filter and installation components | 19435     |  |
| 44  |          | X   | • el. oil sump pump                    |           | See group 9  |

7745630-21-19431

10732

Upd:2011-09-27