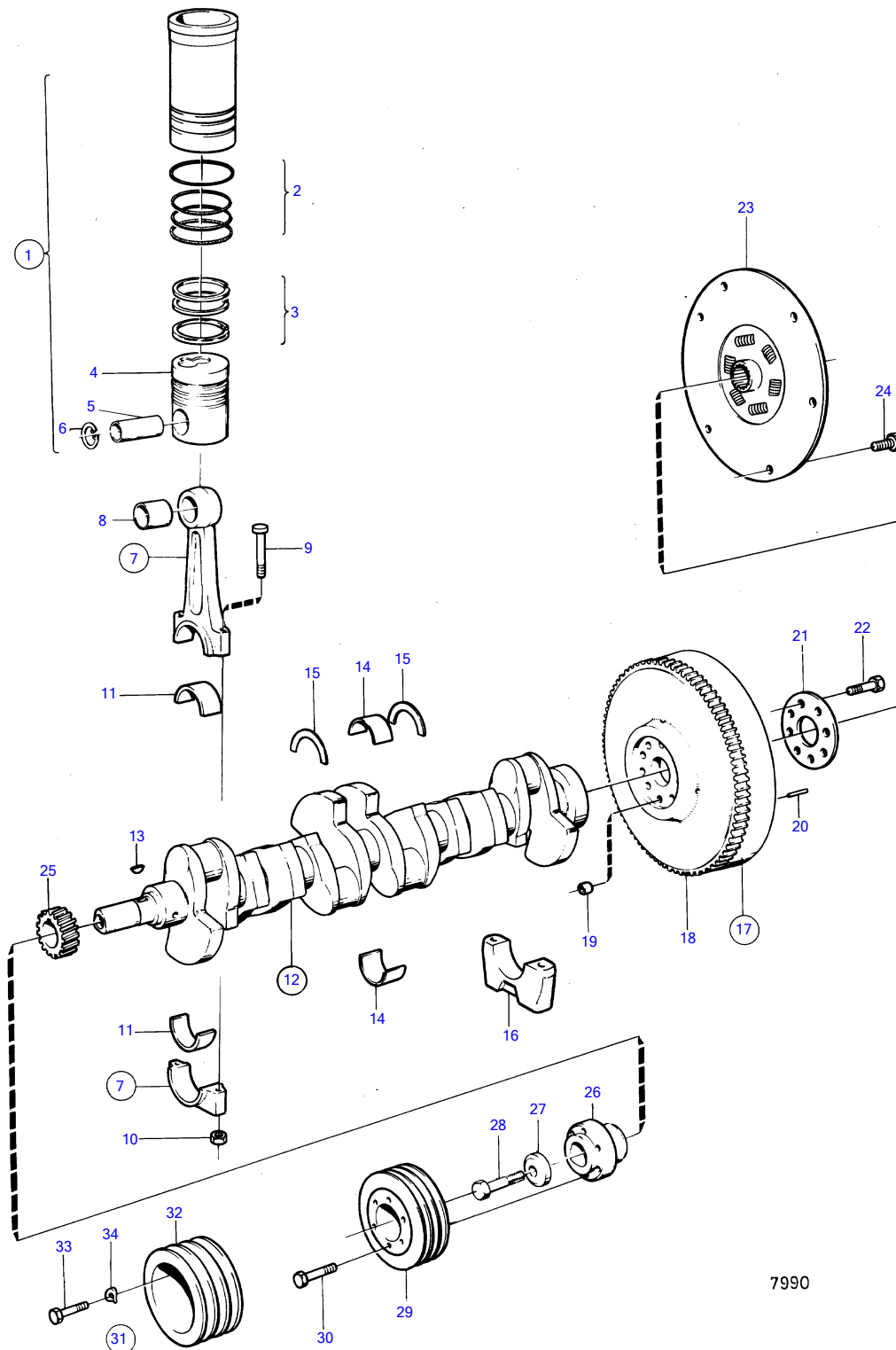


D41A, AQAD41A, AD41A



7990

D41A, AQAD41A, AD41A

| REF | PART NO. | QTY | DESCRIPTION | SEE SEC. | NOTES |
|-----|----------|-----|-----------------------|----------|-------------------|
| 1 | 876099 | 6 | Cylinder liner kit | | |
| 2 | 275751 | 6 | • Sealing ring kit | | |
| 3 | 275350 | 6 | • Piston ring kit | | |
| 4 | | 6 | • piston | | |
| 5 | 1542160 | 6 | • Piston pin | | |
| 6 | 914519 | 12 | • Snap ring | | |
| 7 | 1542072 | 6 | Connecting rod | | |
| 8 | 1542076 | 6 | • Bushing | | |
| 9 | 1542077 | 12 | • Connecting rod bolt | | |
| 10 | 1542078 | 12 | • Nut | | |
| 11 | 270111 | 6 | Main bearing kit | | Std D |
| | 270112 | 6 | Main bearing kit | | Under size 0,25mm |
| | 270113 | 6 | Main bearing kit | | Under size 0,50mm |
| | 270114 | 6 | Main bearing kit | | Under size 0,75mm |
| 12 | 1545231 | 1 | Crankshaft | | |
| | | | Bulletin 44-22 | 44-22-EN | New Crankshaft |
| 13 | 910118 | 1 | • Woodruff key | | |
| 14 | 270467 | 7 | Main bearing kit | | Std D |
| | 270468 | 7 | Main bearing kit | | Under size 0,25mm |
| | 270469 | 7 | Main bearing kit | | Under size 0,50mm |
| | 270470 | 7 | Main bearing kit | | Under size 0,75mm |
| 15 | 270464 | 1 | Thrust washer kit | | Std D |
| | 270465 | 1 | Thrust washer kit | | Over size 0,1mm |
| | 270466 | 1 | Thrust washer kit | | Over size 0,2mm |
| 16 | | 7 | bearing cap | 19415 | |
| 17 | 860726 | 1 | Flywheel | | (838850) |
| 18 | 829462 | 1 | • Ring gear | | |
| 19 | 415311 | 1 | • Guide sleeve | | |
| 20 | 191873 | 3 | • Locating pin | | |
| 21 | 1542093 | 1 | Bolt plate | | |
| 22 | 1544147 | 8 | Screw | | |
| 23 | 855617 | 1 | Oscillation damper | | |
| 24 | 946173 | 6 | Flange screw | | |
| 25 | 1542305 | 1 | Gear | 19429 | |
| 26 | 1542196 | 1 | Hub | | |
| 27 | 420124 | 1 | Washer | | |
| 28 | 1542149 | 1 | Hexagon screw | | |
| 29 | 838725 | 1 | Vibration damper | | |
| 30 | 948217 | 6 | Flange screw | | |
| 31 | | 1 | pulley | | See group 9 |
| 32 | | 1 | • pulley | | See group 9 |
| 33 | | 6 | • screw | | See group 9 |
| 34 | | 6 | • resilient washer | | See group 9 |