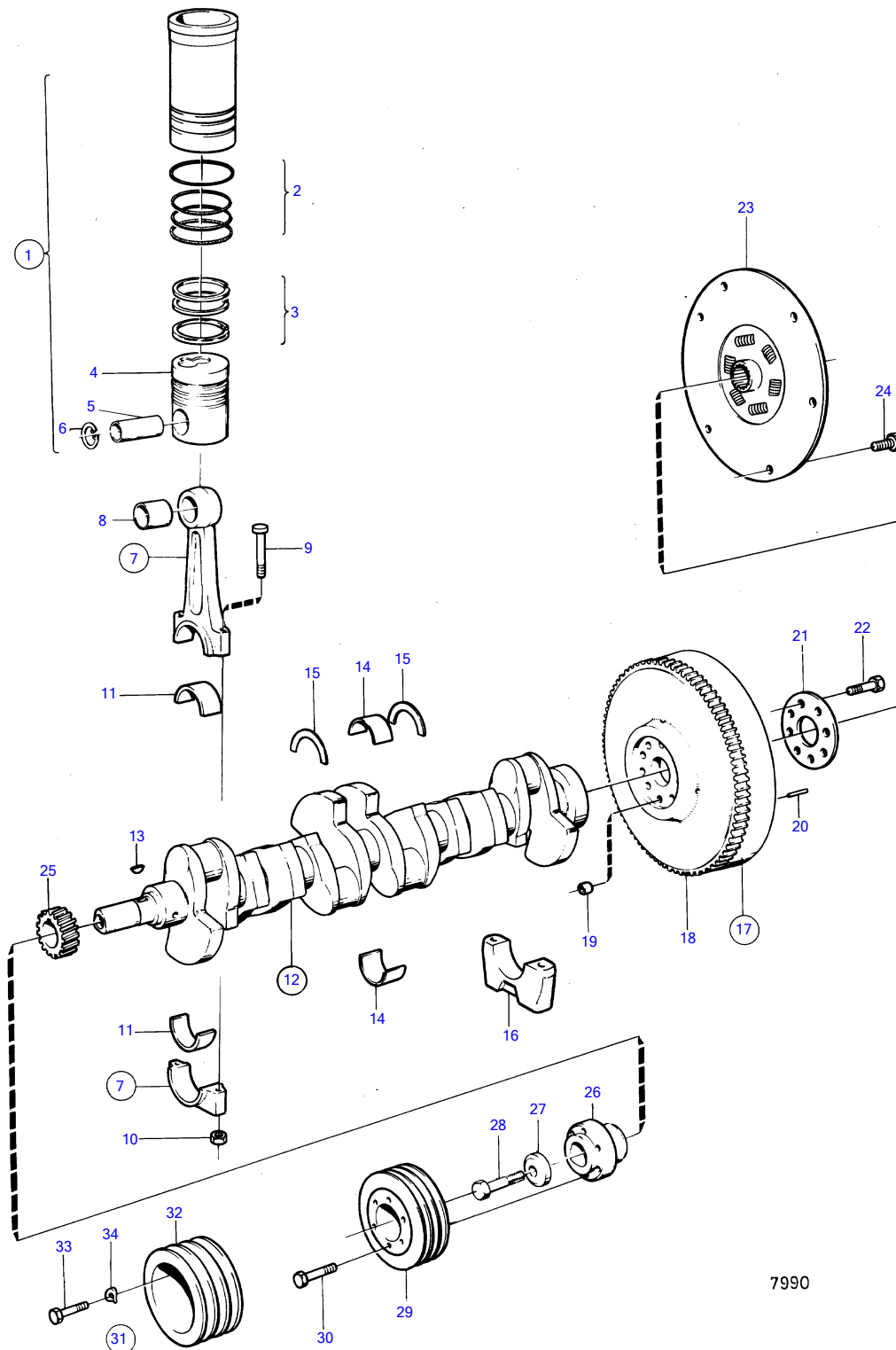


TMD41A



7990

## TMD41A

| REF | PART NO. | QTY | DESCRIPTION           | SEE SEC. | NOTES             |
|-----|----------|-----|-----------------------|----------|-------------------|
| 1   | 876099   | 6   | Cylinder liner kit    |          |                   |
| 2   | 275751   | 6   | • Sealing ring kit    |          |                   |
| 3   | 275350   | 6   | • Piston ring kit     |          |                   |
| 4   |          | 6   | • piston              |          |                   |
| 5   | 1542160  | 6   | • Piston pin          |          |                   |
| 6   | 914519   | 12  | • Snap ring           |          |                   |
| 7   | 1542072  | 6   | Connecting rod        |          |                   |
| 8   | 1542076  | 6   | • Bushing             |          |                   |
| 9   | 1542077  | 12  | • Connecting rod bolt |          |                   |
| 10  | 1542078  | 12  | • Nut                 |          |                   |
| 11  | 270111   | 6   | Main bearing kit      |          | Std D             |
|     | 270112   | 6   | Main bearing kit      |          | Under size 0,25mm |
|     | 270113   | 6   | Main bearing kit      |          | Under size 0,50mm |
|     | 270114   | 6   | Main bearing kit      |          | Under size 0,75mm |
| 12  | 1545231  | 1   | Crankshaft            |          |                   |
|     |          |     | Bulletin 44-22        | 44-22-EN | New Crankshaft    |
| 13  | 910118   | 1   | • Woodruff key        |          |                   |
| 14  | 270467   | 7   | Main bearing kit      |          | Std D             |
|     | 270468   | 7   | Main bearing kit      |          | Under size 0,25mm |
|     | 270469   | 7   | Main bearing kit      |          | Under size 0,50mm |
|     | 270470   | 7   | Main bearing kit      |          | Under size 0,75mm |
| 15  | 270464   | 1   | Thrust washer kit     |          | Std D             |
|     | 270465   | 1   | Thrust washer kit     |          | Over size 0,1mm   |
|     | 270466   | 1   | Thrust washer kit     |          | Over size 0,2mm   |
| 16  |          | 7   | bearing cap           | 19412    |                   |
| 17  | 860726   | 1   | Flywheel              |          | (838850)          |
| 18  | 829462   | 1   | • Ring gear           |          |                   |
| 19  | 415311   | 1   | • Guide sleeve        |          |                   |
| 20  | 191873   | 3   | • Locating pin        |          |                   |
| 21  | 1542093  | 1   | Bolt plate            |          |                   |
| 22  | 1544147  | 8   | Screw                 |          |                   |
| 23  | 855617   | 1   | Oscillation damper    |          |                   |
| 24  | 946173   | 6   | Flange screw          |          |                   |
| 25  | 1542305  | 1   | Gear                  | 19426    |                   |
| 26  | 1542196  | 1   | Hub                   |          |                   |
| 27  | 420124   | 1   | Washer                |          |                   |
| 28  | 1542149  | 1   | Hexagon screw         |          |                   |
| 29  | 838725   | 1   | Vibration damper      |          |                   |
| 30  | 948217   | 6   | Flange screw          |          |                   |
| 31  |          | 1   | pulley                |          | See group 9       |
| 32  |          | 1   | • pulley              |          | See group 9       |
| 33  |          | 6   | • screw               |          | See group 9       |
| 34  |          | 6   | • resilient washer    |          | See group 9       |

7745630-21-19417

7990

Upd:2011-09-27