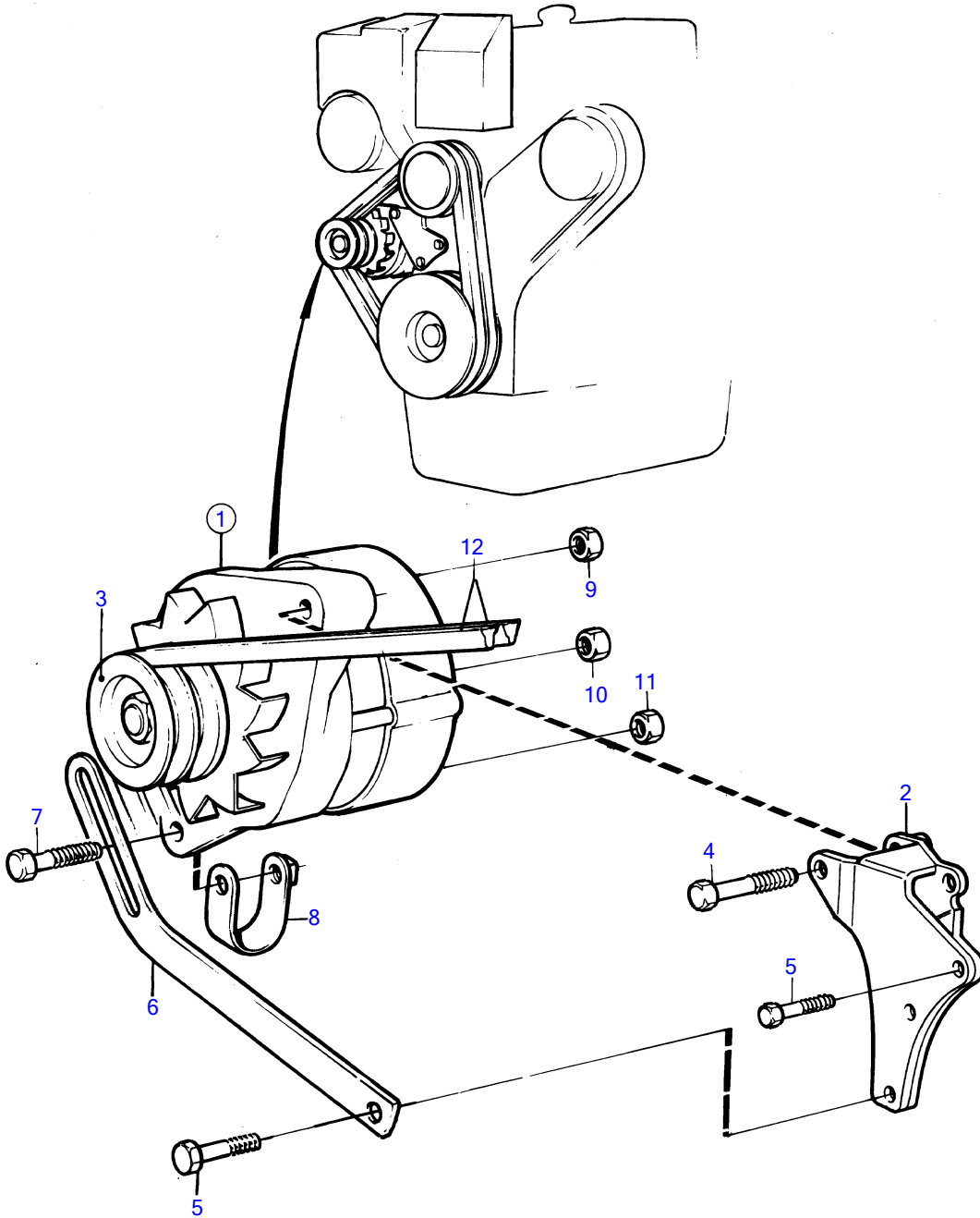


TAMD41B



8012

TAMD41B

REF	PART NO.	QTY	DESCRIPTION	SEE SEC.	NOTES
1	858838	1	Alternator		For 12 voltage electric system., Product no.868189,868190,868191,868438,868448, Also available as an exchange part., 14V 50A
	863955	1	Alternator		For 24 voltage electric system., Product no.868439, Also available as an exchange part., 28V 60A
			Bulletin 45-02A	45-02A-EN	Alternator
2	860271	1	Bracket		
3	841812	1	Pulley		
4	955554	1	Hexagon screw		
5	965179	1	Flange screw		L=50mm
	965182	2	Flange screw		L=80mm
	965189	1	Flange screw		L=85mm
6	835352	1	Tensioner		
7	947760	1	Flange screw		
8	466735	1	Tensioning eyelet		
9	955779	1	Hexagon nut		M4
10	965483	1	Flange nut		M5
11	945407	1	Flange nut		M6
12	966978	1	V-belt		