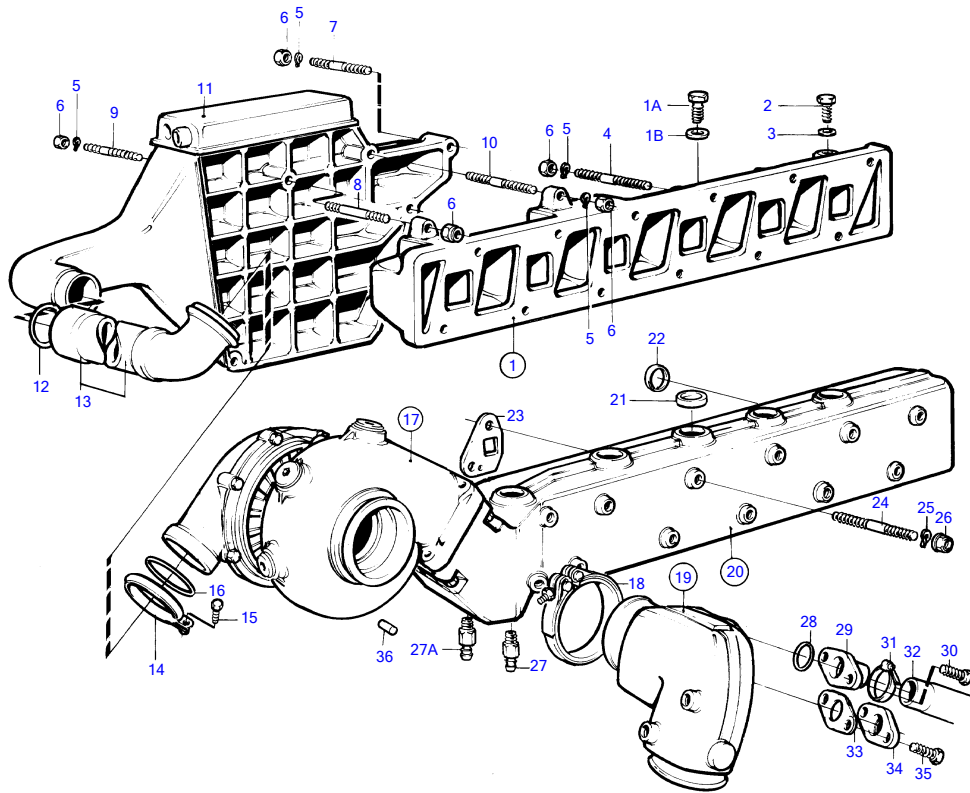


TAMD41A



9385

TAMD41A

REF	PART NO.	QTY	DESCRIPTION	SEE SEC.	NOTES
1	858998	1	Inlet pipe		
	859300	1	Inlet pipe		
1A	960634	4	• Plug		For 859300
1B	947627	4	• Gasket		For 859300
2	960632	1	Plug		
3	947624	1	Gasket		
4	924068	9	Stud		L=50mm
	17942	1	Stud		L=110mm
5	941907	14	Spring washer		
6	945408	14	Flange nut		
7	17942	1	Stud		L=110mm
8	953049	1	Stud		L=50mm
9	838854	1	Stud		L=185mm
10	953049	1	Stud		L=50mm
11		1	after cooler	19476	
12	471449	1	O-ring		
13	838693	1	Connection pipe		
14	838864	1	V-band clamp		
15	947542	1	Flange screw		
16	967944	1	O-ring		
17	838697	1	Turbocharger	19463	
18	842993	1	V-band clamp		
19	858481	1	Exhaust riser		
			• Bulletin 44-16	44-16-EN	Overhaul kit, Exhaust Bend
19			•	19473	
20	838687	1	Exhaust pipe		
21	946780	12	Cap plug		
22	838766	1	Sealing ring		
23	838673	6	Gasket		Repl by 876144
	876144	3	Gasket kit		
24	953001	8	Stud		L=120mm
	953002	2	Stud		L=120mm
	953003	1	Stud, stud bolt	19500	L=130mm
	953007	1	Stud, stud bolt	19500	L=150mm
25	941908	12	Spring washer		
26	971095	12	Flange nut		
27	949918	1	Shut-off cock		
27A	947893	1	Shut-off cock		
28	842913	1	Sealing ring		
29	858659	1	Hose connection		
30	946544	2	Flange screw		
31	943475	1	Hose clamp		
32	944386	1	Rubber hose		Heat exchanger-exhaust bend., L=335mm
33	859002	1	Gasket		
34	844093	1	Flange		
35	946544	2	Flange screw		
36	951930	1	Spring pin		