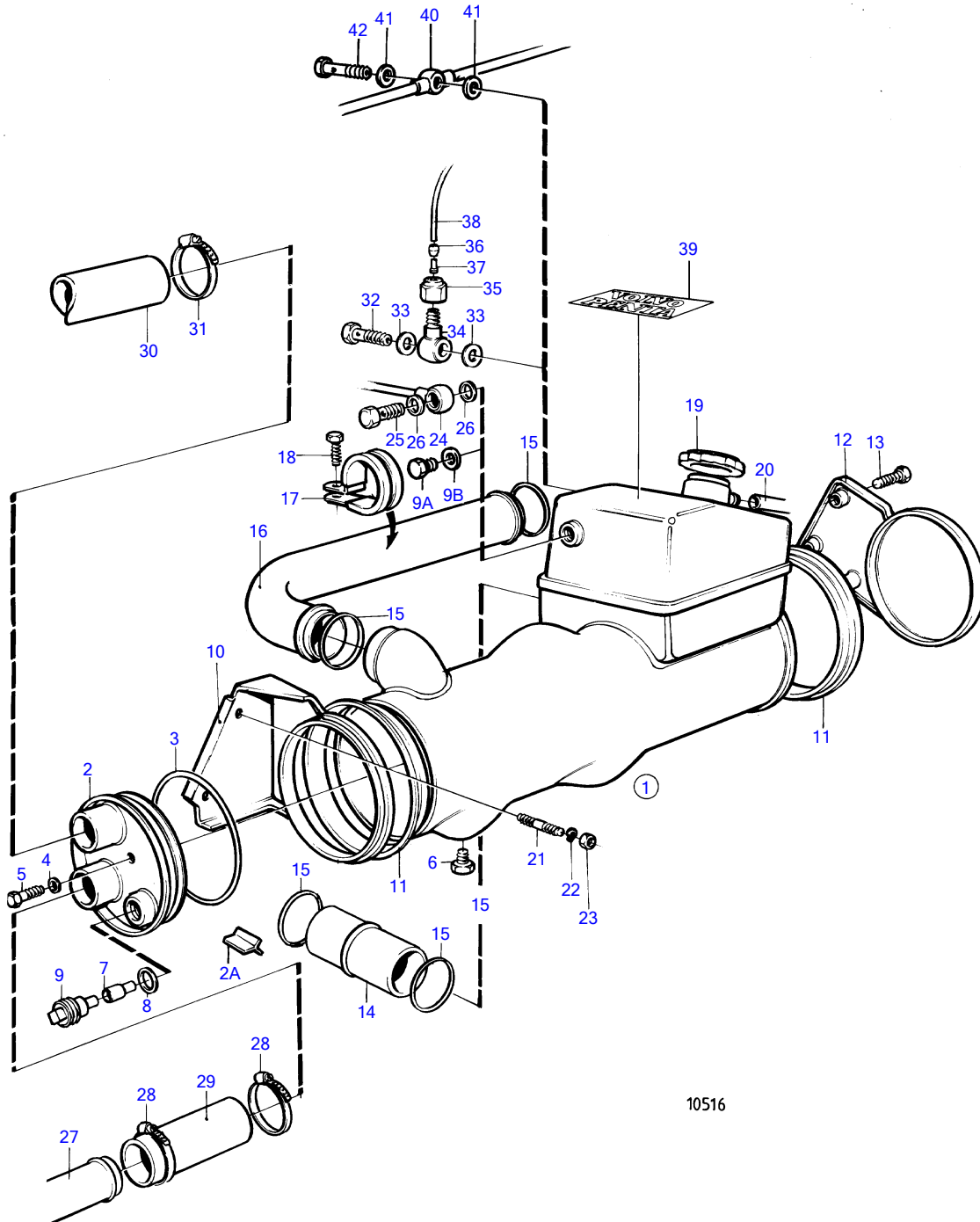


TMD41A



10516

TMD41A

| REF | PART NO. | QTY | DESCRIPTION | SEE SEC. | NOTES |
|-----|----------|-----|------------------|----------|---|
| 1 | (838702) | 1 | Heat exchanger | | Replaced by heat exchanger 860276 and air vent hose 860230, Obsolete part |
| | | | Bulletin 44-14 | 44-14-EN | Venting Pipe |
| 1 | 860276 | 1 | Heat exchanger | | |
| 2 | 860119 | 1 | • Cardboard tube | | (858752) |
| 2A | 860127 | 3 | • Sealing strip | | |
| 3 | 925027 | 1 | • O-ring | | |
| 4 | 964106 | 1 | • Gasket | | |
| 5 | 963567 | 1 | • Hexagon screw | | |
| 6 | 192134 | 1 | • Plug | | |
| 7 | 838929 | 1 | • Anode | | |
| 8 | 958227 | 1 | • O-ring | | |
| 9 | 858754 | 1 | • Anchorage | | |
| 9A | 960629 | 1 | • Plug | | Included in 860276 |
| 9B | 11994 | 1 | • Gasket | | Included in 860276 |
| 10 | 838729 | 1 | Bracket | | |
| 11 | 838733 | 2 | Adapter | | |
| 12 | 838728 | 1 | Bracket | | |
| 13 | 965185 | 3 | Flange screw | | |
| 14 | 838737 | 1 | Tube | | Heat exchanger-circulation pump. |
| 15 | 968927 | 4 | O-ring | | |
| 16 | (838798) | 1 | Coolant pipe | | Heat exchanger-thermostat housing., Obsolete part |
| 17 | 967645 | 1 | Clamp | | |
| 18 | 946544 | 1 | Flange screw | | |
| 19 | 845879 | 1 | Pressure cap | | |
| 20 | 192618 | X | Hose | | L=700mm |
| 21 | 953003 | 1 | Stud | 19467 | |
| | 953007 | 1 | Stud | 19467 | |
| 22 | 941908 | 2 | Spring washer | | |
| 23 | 971095 | 2 | Flange nut | | (945409) |
| 24 | 838743 | 1 | Tube | 19462 | |
| | | | Bulletin 44-14 | 44-14-EN | Venting Pipe |
| 24 | | | | | Replaced by air VENT hose 860230, 1ea plug 960629 and 1ea gasket 11994 |
| 25 | 969299 | 1 | Hollow screw | | (74040) |
| 26 | 11994 | 2 | Gasket | | |
| 27 | 838778 | 1 | Coolant pipe | | Product no.867971, Oil cooler-heat exchanger. |
| | 860278 | 1 | Coolant pipe | | Product no.867972,867973, Reverse gear-heat exchanger., (838818) |
| 28 | 943475 | 2 | Hose clamp | | |
| 29 | 944386 | 1 | Rubber hose | | L=60mm |
| 30 | 944386 | 1 | Rubber hose | | Heat exchanger-exhaust bend., For engines with wet exhaust line, L=335mm |
| 31 | 943475 | 1 | Hose clamp | | |
| 32 | 969299 | 1 | Hollow screw | | (74040) |
| 33 | 11994 | 2 | Gasket | | |
| 34 | 945417 | 1 | Banjo nipple | | Only when pipe 838743 is used |
| 35 | 954356 | 1 | Fitting nut | | Only when pipe 838743 is used |
| 36 | 954364 | 1 | Sleeve | | Only when pipe 838743 is used |
| 37 | 944717 | 1 | Support sleeve | | Only when pipe 838743 is used |
| 38 | 945460 | 1 | Tube | | Only when pipe 838743 is used |
| 39 | | 1 | Decal | | Replaced by decal kit 876234 |
| | 876234 | 1 | Decal set | | |
| 40 | 860230 | 1 | Air vent hose | | Turbo-heat exchanger-thermostat housing |
| 41 | 11994 | 2 | Gasket | | |
| 42 | 969299 | 1 | Hollow screw | | |

7745630-26-19498

10516

Upd:2011-09-27