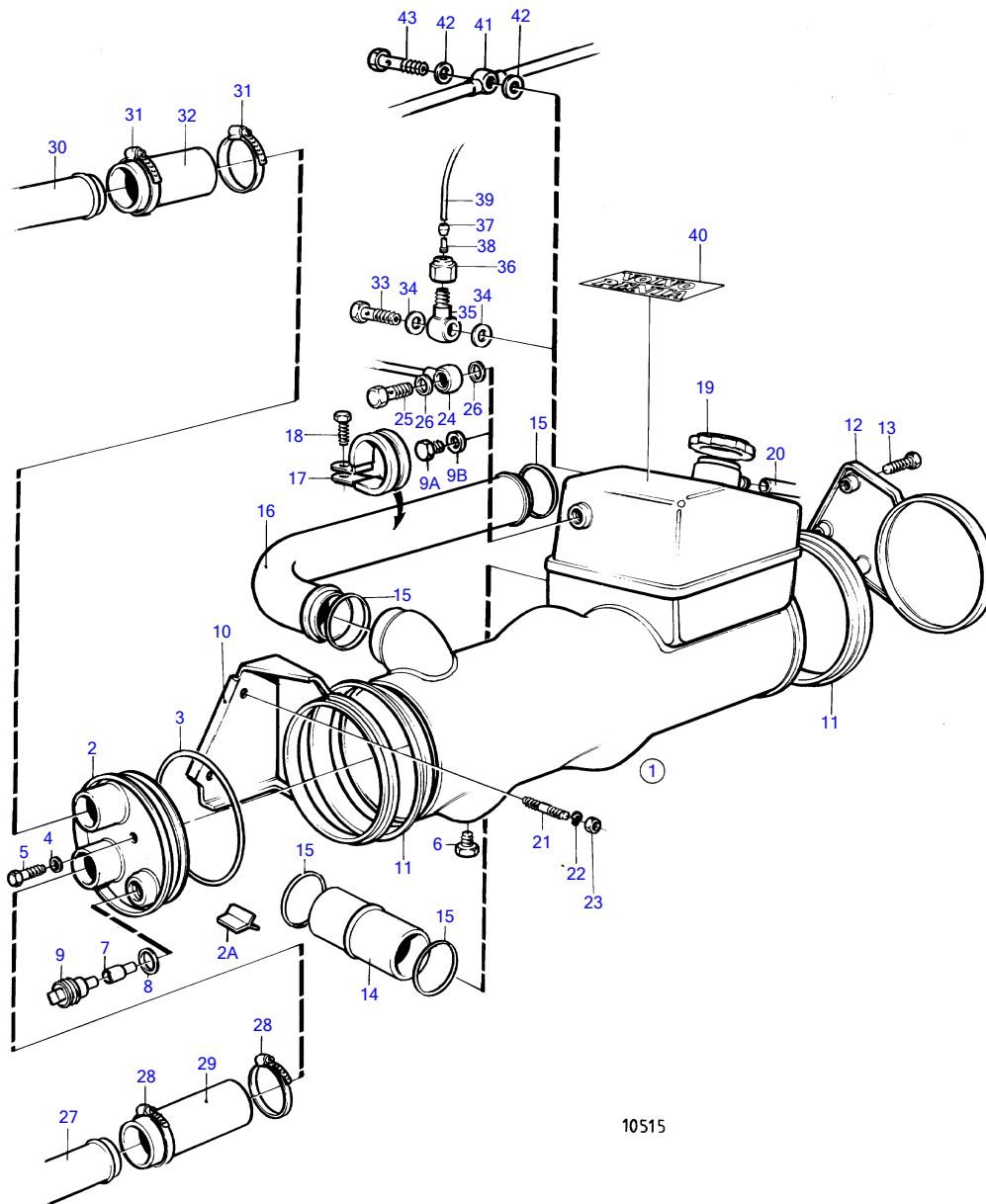


D41A



## D41A

| REF | PART NO. | QTY | DESCRIPTION      | SEE SEC. | NOTES   |
|-----|----------|-----|------------------|----------|---|
| 1   | (838702) | 1   | Heat exchanger   |          | Replaced by heat exchanger 860276 and air vent hose 860230, Obsolete part |
|     |          |     | Bulletin 44-14   | 44-14-EN | Venting Pipe  |
| 1   | 860276   | 1   | Heat exchanger   |          |   |
| 2   | 860119   | 1   | • Cardboard tube |          | (858752)  |
| 2A  | 860127   | 3   | • Sealing strip  |          |   |
| 3   | 925027   | 1   | • O-ring         |          |   |
| 4   | 964106   | 1   | • Gasket         |          |   |
| 5   | 963567   | 1   | • Hexagon screw  |          |   |
| 6   | 192134   | 1   | • Plug           |          |   |
| 7   | 838929   | 1   | • Anode          |          |   |
| 8   | 958227   | 1   | • O-ring         |          |   |
| 9   | 858754   | 1   | • Anchorage      |          |   |
| 9A  | 960629   | 1   | • Plug           |          | Included in 860276  |
| 9B  | 11994    | 1   | • Gasket         |          | Included in 860276  |
| 10  | 838729   | 1   | Bracket          |          |   |
| 11  | 838733   | 2   | Adapter          |          |   |
| 12  | 838728   | 1   | Bracket          |          |   |
| 13  | 965185   | 3   | Flange screw     |          |   |
| 14  | 838737   | 1   | Tube             |          | Heat exchanger-circulation pump.  |
| 15  | 968927   | 4   | O-ring           |          |   |
| 16  | (838798) | 1   | Coolant pipe     |          | Heat exchanger-thermostat housing., Obsolete part                         |
| 17  | 967645   | 1   | Clamp            |          |   |
| 18  | 946544   | 1   | Flange screw     |          |   |
| 19  | 845879   | 1   | Pressure cap     |          |   |
| 20  | 192618   | X   | Hose             |          | L=700mm   |
| 21  | 953003   | 1   | Stud             | 19467    |   |
|     | 953007   | 1   | Stud             | 19467    |   |
| 22  | 941908   | 2   | Spring washer    |          |   |
| 23  | 971095   | 2   | Flange nut       |          | (945409)  |
| 24  | 838743   | 1   | Tube             | 19464    |   |
|     |          |     | Bulletin 44-14   | 44-14-EN | Venting Pipe  |
| 24  |          |     |                  |          | Replaced by air VENT hose 860230, 1ea plug 960629 and 1ea gasket 11994    |
| 25  | 969299   | 1   | Hollow screw     |          | (74040)   |
| 26  | 11994    | 2   | Gasket           |          |   |
| 27  | 838778   | 1   | Coolant pipe     |          | Oil cooler-heat exchanger.  |
| 28  | 943475   | 2   | Hose clamp       |          |   |
| 29  | 944386   | 1   | Rubber hose      |          | L=60mm  |
| 30  | 838862   | 1   | Coolant pipe     |          | Heat exchanger-exhaust bend.  |
| 31  | 943475   | 2   | Hose clamp       |          |   |
| 32  | 944386   | 1   | Rubber hose      |          | L=60mm  |
| 33  | 969299   | 1   | Hollow screw     |          | (74040)   |
| 34  | 11994    | 2   | Gasket           |          |   |
| 35  | 945417   | 1   | Banjo nipple     |          | Only when pipe 838743 is used   |
| 36  | 954356   | 1   | Fitting nut      |          | Only when pipe 838743 is used   |
| 37  | 954364   | 1   | Sleeve           |          | Only when pipe 838743 is used   |
| 38  | 944717   | 1   | Support sleeve   |          | Only when pipe 838743 is used   |
| 39  | 945460   | 1   | Tube             |          | Only when pipe 838743 is used   |
| 40  |          | 1   | Decal            |          | Replaced by decal kit 876234  |
|     | 876234   | 1   | Decal set        |          |   |
| 41  | 860230   | 1   | Air vent hose    |          | Turbo-heat exchanger-thermostat housing                                   |
| 42  | 11994    | 2   | Gasket           |          |   |
| 43  | 969299   | 1   | Hollow screw     |          |   |

7745630-26-19499

10515

Upd:2011-09-27