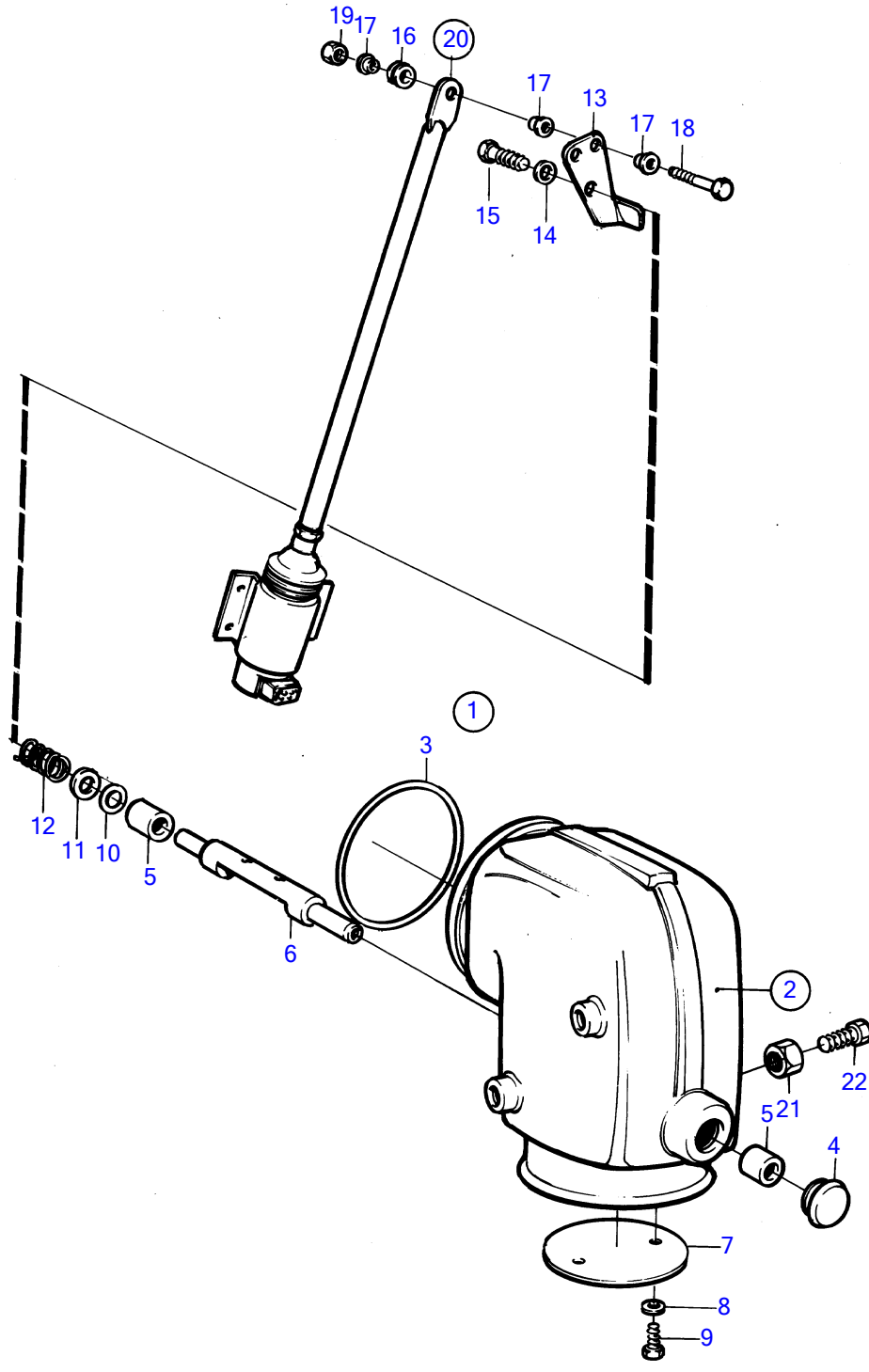


TMD41A, TMD41B, D41A, D41B, TAMD41A, TAMD41B, AQAD41A, AD41A, AD41B



8380

TMD41A, TMD41B, D41A, D41B, TAMD41A, TAMD41B, AQAD41A, AD41A, AD41B

| REF | PART NO. | QTY | DESCRIPTION          | SEE SEC. | NOTES                      |
|-----|----------|-----|----------------------|----------|----------------------------|
| 1   | 858481   | 1   | Exhaust riser        |          |                            |
|     |          |     | Bulletin 44-16       | 44-16-EN | Overhaul kit, Exhaust Bend |
| 2   |          | 1   | • exhaust elbow      |          |                            |
| 3   | 859052   | 1   | • • Gasket           |          | (845408)                   |
| 4   | (941255) | 1   | • Expansion plug     |          | Obsolete part              |
| 5   | 858478   | 2   | • Bushing            |          |                            |
| 6   |          | 1   | • shaft              |          |                            |
| 7   |          | 1   | • throttle           |          |                            |
| 8   | 940275   | 2   | • Washer             |          |                            |
| 9   | 963537   | 2   | • Hexagon screw      |          |                            |
| 10  | (968783) | 1   | • O-ring             |          | Obsolete part              |
| 11  | 941670   | 1   | • Washer             |          |                            |
| 12  | (858594) | 1   | • Spring             |          | Obsolete part              |
| 13  | (858926) | 1   | • Intermediate lever |          | Obsolete part              |
| 14  | 960137   | 1   | • Washer             |          |                            |
| 15  | (955225) | 1   | • Hexagon screw      |          | Obsolete part              |
|     | 859607   | X   | Overhaul kit         |          |                            |
| 16  | 843109   | 1   | Bushing              |          |                            |
| 17  | 843105   | 3   | Spacer washer        |          |                            |
| 18  | 955274   | 1   | Hexagon screw        |          |                            |
| 19  | 946035   | 1   | Lock nut             |          |                            |
| 20  |          | 1   | solenoid             |          | See group 3                |
| 21  | 955781   | 1   | Hexagon nut          |          |                            |
| 22  | 956100   | 1   | Cross recessed screw |          |                            |