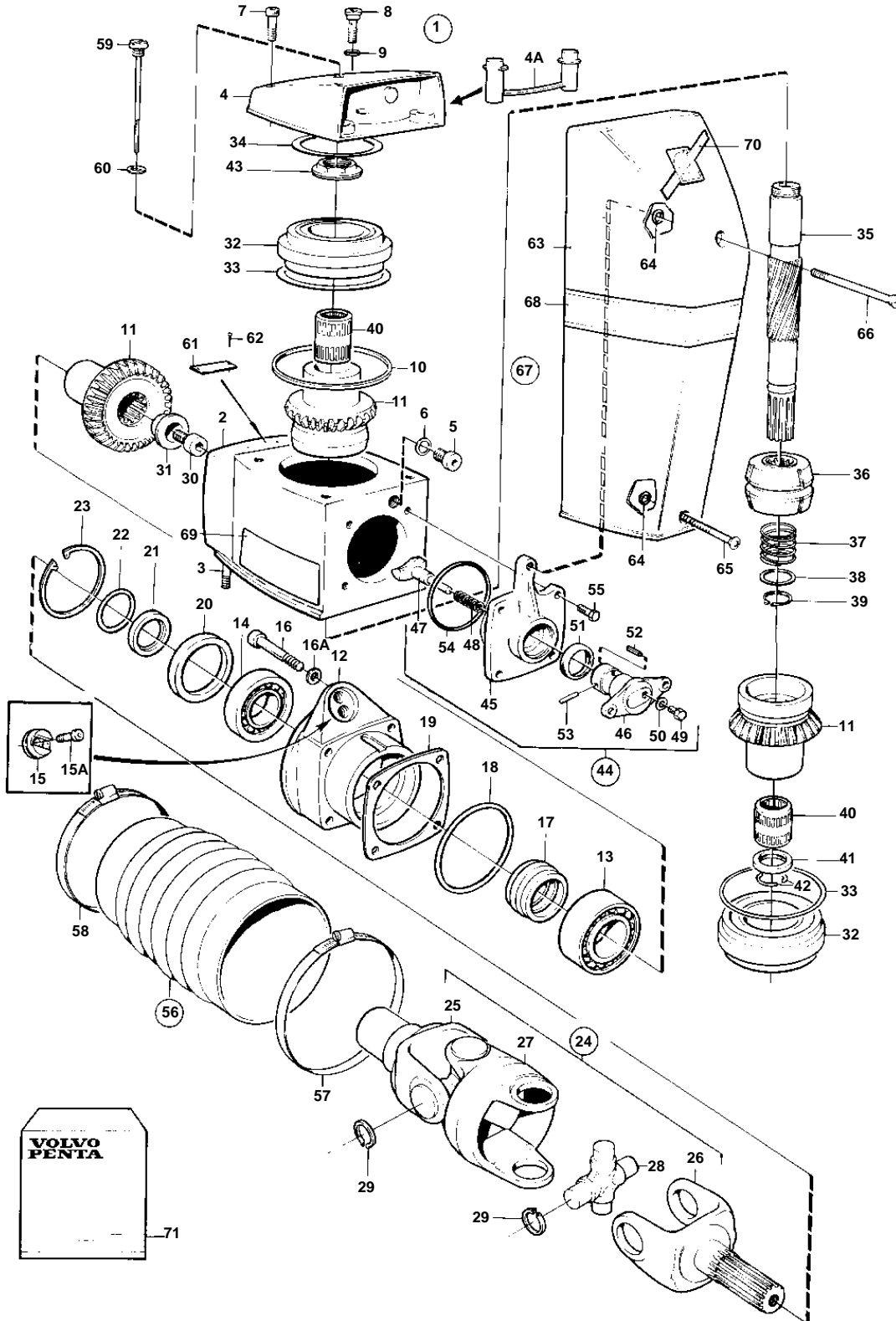


DP-D1



15160

## DP-D1

REF	PART NO.	QTY	DESCRIPTION	SEE SEC.	NOTES
1	873002	1	Upper gear unit		REPL BY 3858785
2	854571	1	• Gear housing		
3	977241	2	• Stud		
4	854677	1	• Cover		
4A	854198	1	• Plastic plug		
5	981965	1	• Plug		
6	897682	1	• Gasket		Included in gasket kit.
7	941807	3	• Screw		
8	814643	1	• Hollow screw		
9	955989	1	• O-ring		Included in gasket kit.
10	832669	1	• Gasket		Included in gasket kit.
11	853917	1	• Gear set		Replaced by 1pcs 873313, gear set, 1pcs 3855783, sliding sleeves, and 1pcs 3856502, dog.
	873313	1	• Gear set		
12	854025	1	• Bearing box		
13	3850852	1	• Bearing		
14	183247	1	• Bearing		
15	852705	1	• Pivot pin		
15A	941807	2	• Screw		
16	984068	4	• Screw		
16A	942598	4	• Washer		
17	853484	1	• Pretensioning sleeve		
18	967344	1	• O-ring		Included in gasket kit.
19	853034	X	• Shim		TH = 0,10mm
	853035	X	• Shim		TH = 0.15mm
	853036	X	• Shim		TH=0.35mm
20	839253	1	• Sealing ring		Included in gasket kit.
21	832675	1	• Washer		
22	956000	1	• O-ring		Included in gasket kit.
23	914538	1	• Lock ring		
24	3860230	1	• Universal joint		
			• Bulletin P-44-1-5	P-44-1-5-EN	U-joints
25	854616	1	• • Fork		
26	854617	1	• • Fork		
27	854618	1	• • Intermediate section		
28	854619	2	• • Spider		
29	24383	8	• • Lock ring		
30	3852309	1	• Screw		
31	853026	1	• Washer		
32	854670	2	• Ball bearing		
33	943869	X	• Shim		TH=0,05mm
	946179	X	• Shim		TH = 0,10mm
	943870	X	• Shim		TH=0,20mm
34	941826	X	• Shim		TH=0,05mm
	941827	X	• Shim		TH=0,20mm
	948230	X	• Shim		TH=0.35mm
35	3852292	1	• Shaft		
36	3852293	1	• Sliding sleeve		Replaced by 1pcs 3855783, sliding sleeves, and 1pcs 3856502, dog.
			• Bulletin P-44-1-8	P-44-1-8-EN	Shift mechanism, shift cone and shoe
36	3855783	1	• Sliding sleeve		
37	3852296	1	• Spring		
38	3852298	1	• Washer		
39	951078	1	• Snap ring		
40	3852390	2	• Needle bearing		
41	3852294	1	• Ring		
42	3852295	2	• Lock clip		
43	3852301	1	• Nut		0.0mm

## DP-D1

REF	PART NO.	QTY	DESCRIPTION	SEE SEC.	NOTES
43	3852302	1	• Nut		0.2mm
	3852303	1	• Nut		0.4mm
	3852375	1	• Nut		0.6mm
44		1	• Shift mechanism		
45	3855785	1	• • Bearing housing		
46	3856008	1	• • Eccentric piston		
47	839646	1	• • Dog		
	3856502	1	• • Shoe		
48	814184	1	• • Spring		
49	897711	1	• • Screw		
50	897871	X	• • Shim		
51	853868	1	• • Sealing ring		
52	951924	1	• • Tensioning din		
53	942871	1	• • Pin		
54	925093	1	• • O-ring		Included in gasket kit.
55	940169	4	• Screw		
56	876294	1	• Bellows kit		
57	853013	1	• • Hose clamp		
58	853012	1	• • Hose clamp		
59	839351	1	• Oil dipstick		
60	955974	1	• O-ring		Included in gasket kit.
61	853706	1	• Type plate		
62	804269	2	• Rivet		
63	854604	1	Cover		Included in complete drive.
64	925052	2	Rubber ring		Included in complete drive.
65	854661	1	Screw		Included in complete drive.
66	872027	1	Screw		Included in complete drive.
67	876636	1	Decal set		
68	872866	1	• Decal		Included in gasket kit.
69	872868	1	• Decal		P. Included in complete drive.
	872867	1	• Decal		S.B. Included in complete drive.
70	854144	1	Decal		Included in complete drive.
71	876266	1	Gasket kit, upper gear		SEE GROUP 99