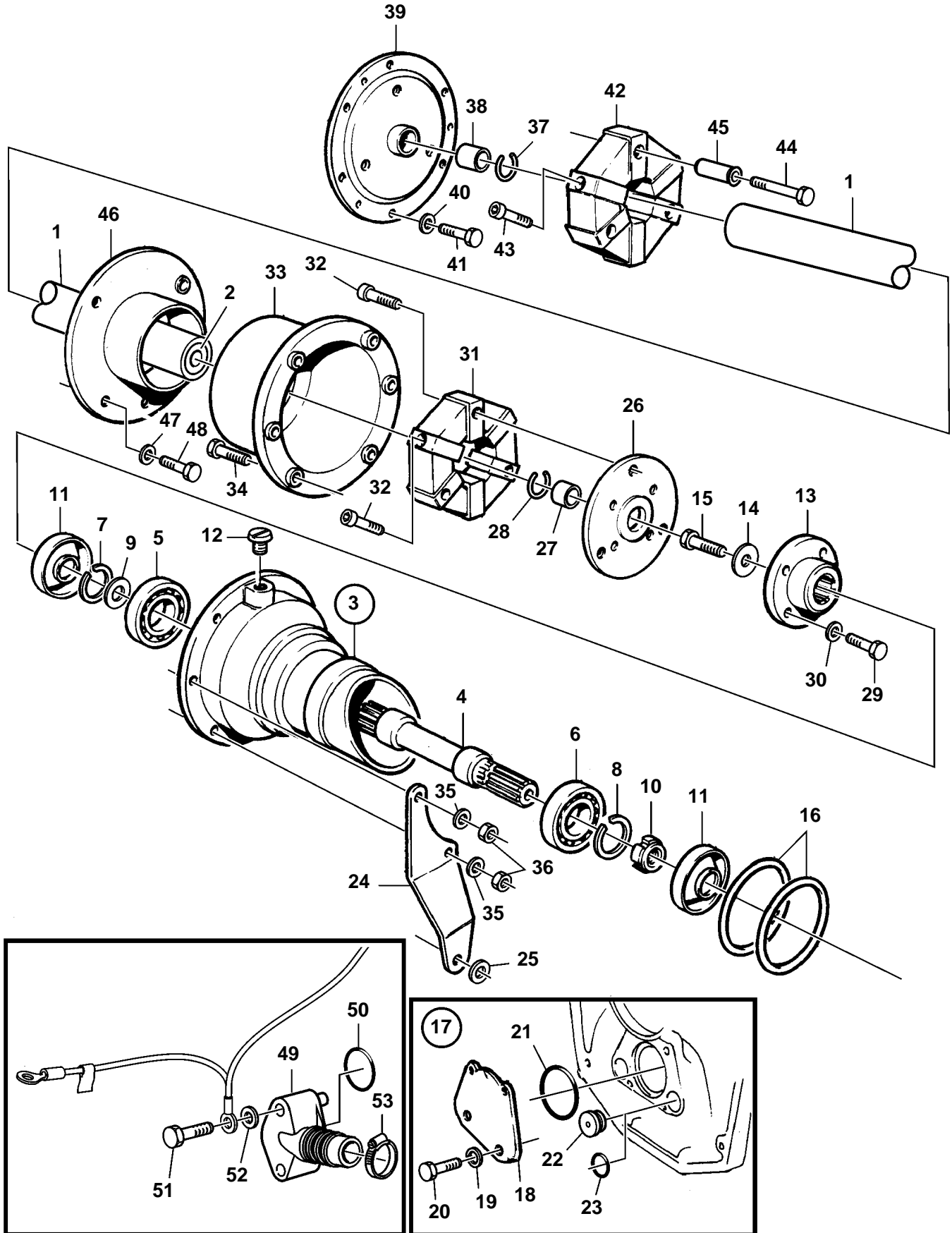


AD31P-A, AD31L-A, D41L-A, AD41L-A, AD41P-A



AD31P-A, AD31L-A, D41L-A, AD41L-A, AD41P-A

REF	PART NO.	QTY	DESCRIPTION	NOTES
1	853944	1	Axle shaft	L=1,1m
	853850	1	Axle shaft	L=1,65m
2	853830	2	· Insert	
3	3855772	1	Intermediate housing	
4	853841	1	Shaft	
5	183647	1	Roller bearing	
6	11041	1	Roller bearing	
7	914465	1	Lock ring	
8	914533	1	Snap ring	
9	968950	1	Support washer	
10	969072	1	Round nut	
11	958860	2	Sealing ring	
12	804262	1	Plug	
13	838422	1	Clutch flange	
14	947541	1	Washer	
15	946329	1	Flange screw	
16	858464	2	Rubber ring	
17	872238	1	Seal flange kit	
18		1	· Seal flange	
19	941908	4	· Spring washer	
20	970945	4	· Screw	
21	925256	1	· O-ring	
22	814473	2	· Rubber plug	
23	925064	2	O-ring	ALT
24	838935	1	Bracket	P
	838936	1	Bracket	SB
25	955897	22	Washer	
26	853878	1	Attaching plate	
27	853829	1	Bushing	
28	914470	1	Lock ring	
29	945996	4	Screw	
30	941909	4	Spring washer	
31	853978	1	Clutch	
32	853951	6	· Screw	
33	853838	1	Protection	
34	940160	6	Screw	
35	941909	6	Spring washer	
36	940157	6	Nut	
37	914470	1	Lock ring	
38	853829	1	Bushing	
39	853876	1	Attaching plate	
40	941907	6	Spring washer	EARLY TYPE
41	955297	6	Screw	EARLY TYPE
	945444	6	Flange screw	LATE TYPE
42	853977	1	Clutch	
43	853951	3	· Screw	
44	853952	3	· Screw	
45	853834	3	Spacer sleeve	
46	853874	1	Protection	
47	941908	4	Spring washer	EARLY TYPE
48	970947	4	Screw	EARLY TYPE
	946329	4	Flange screw	LATE TYPE
49	872338	1	Hose nipple	
50	925064	1	O-ring	
51	955516	2	Screw	
52	955893	2	Washer	
53	961669	2	Hose clamp	