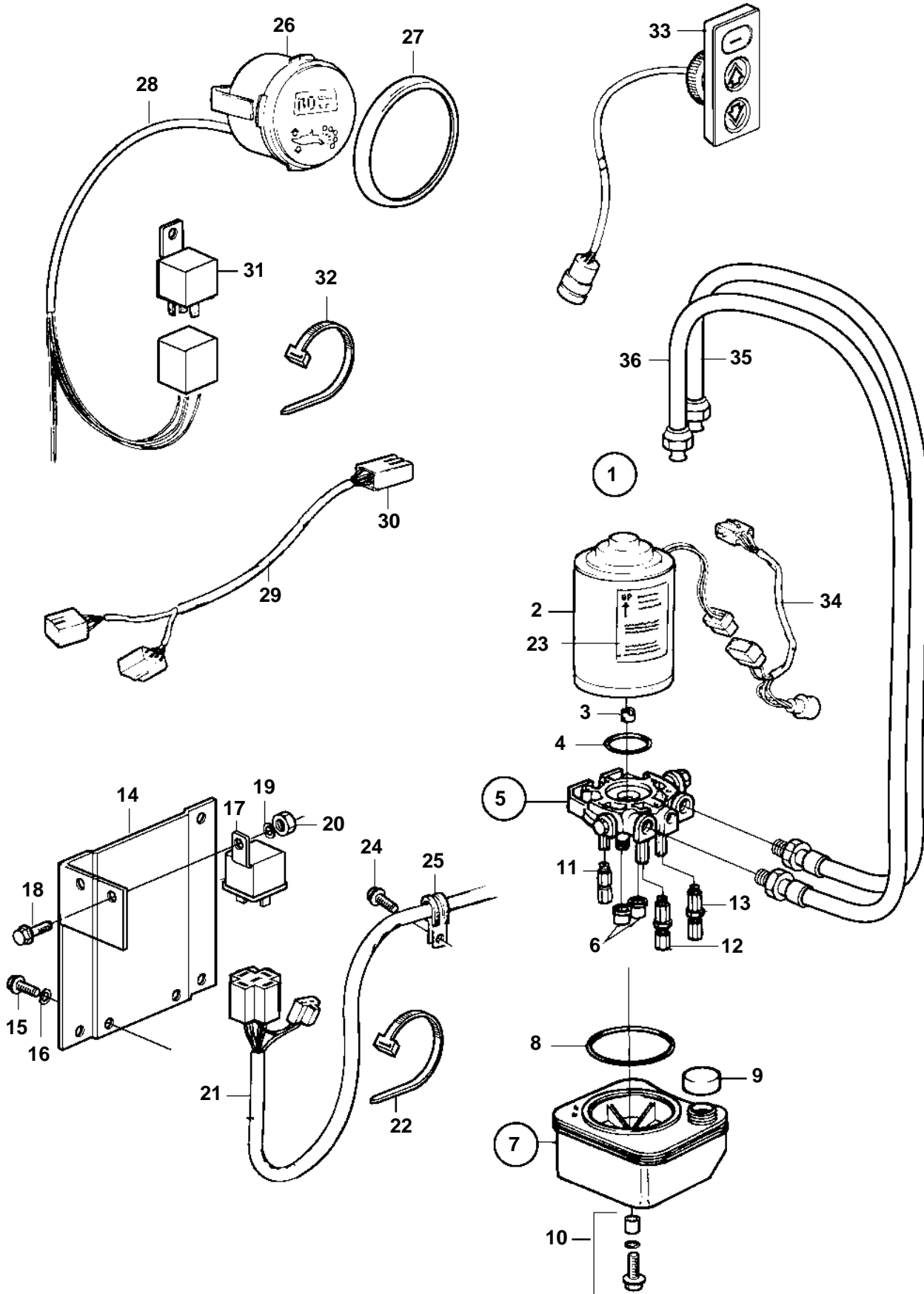


SP-C1, DP-D1, DP-E, DP-S, DPX



SP-C1, DP-D1, DP-E, DP-S, DPX

REF	PART NO.	QTY	DESCRIPTION	SEE SEC.	NOTES
1	873051	1	Hydraulic pump kit		REPL BY 3857265
	3857265	1	Hydraulic pump kit		
	3861027	1	Pump kit		
2	854525	1	• Electrical motor		
3	3858072	1	• • Connector		
4	3858073	1	• • O-ring		
5	854528	1	• Valve housing		FOR 873051
	3857003	1	• Valve housing		FOR 3857265
6	3858076	2	• • Filter		
7	854531	1	• Reservoir		
8	3858078	1	• • Seal		
9	3858079	1	• • Cap		
10	854534	1	• • Small parts kit		
11	854535	1	• Relief unit		
12	873057	1	• High pressure unit		
13	854537	1	• Low pressure unit		
14	854438	1	• Bracket		
15	970945	2	• Screw		
16	941908	2	• Spring washer		
17	854357	2	• Relay		
18	948663	2	• Screw		
19	941905	2	• Spring washer		
20	955780	2	• Nut		
21		X	• Cables and terminals		SE GROUP 30
22	948211	1	• Strip clamp		
23	853097	1	• Sign		
24	968476	4	• Flange screw		
25	952630	4	• Clamp		
26	872498	1	Trim gauge		
27	858643	1	Front ring		
28	856821	1	Cable kit		
29	853066	1	Cable trunk		For double steering positions.
30		X	• Cables and terminals		SE GROUP 30
31	1324492	2	Relay		12V 30A. Replaced by relay 1324492 and mounting instruction.
	1324492	2	Relay		WITH BUILT IN DIOD. NB! Changed polarity. See mounting instruction.
32	949666	X	Strip clamp		
33	3855650	1	Control panel		(873617), (853846)
34	853032	1	Cable trunk		
	948294	X	• Receptacle housing		9-POLE
	965822	X	• Cable terminal		3,5x1x2,5
	853498	X	• Receptacle housing		3-POLE
	853521	X	• Cable terminal		FOR 853498
35	873228	1	Hydraulic hose	592	
36	873229	1	Hydraulic hose	592	