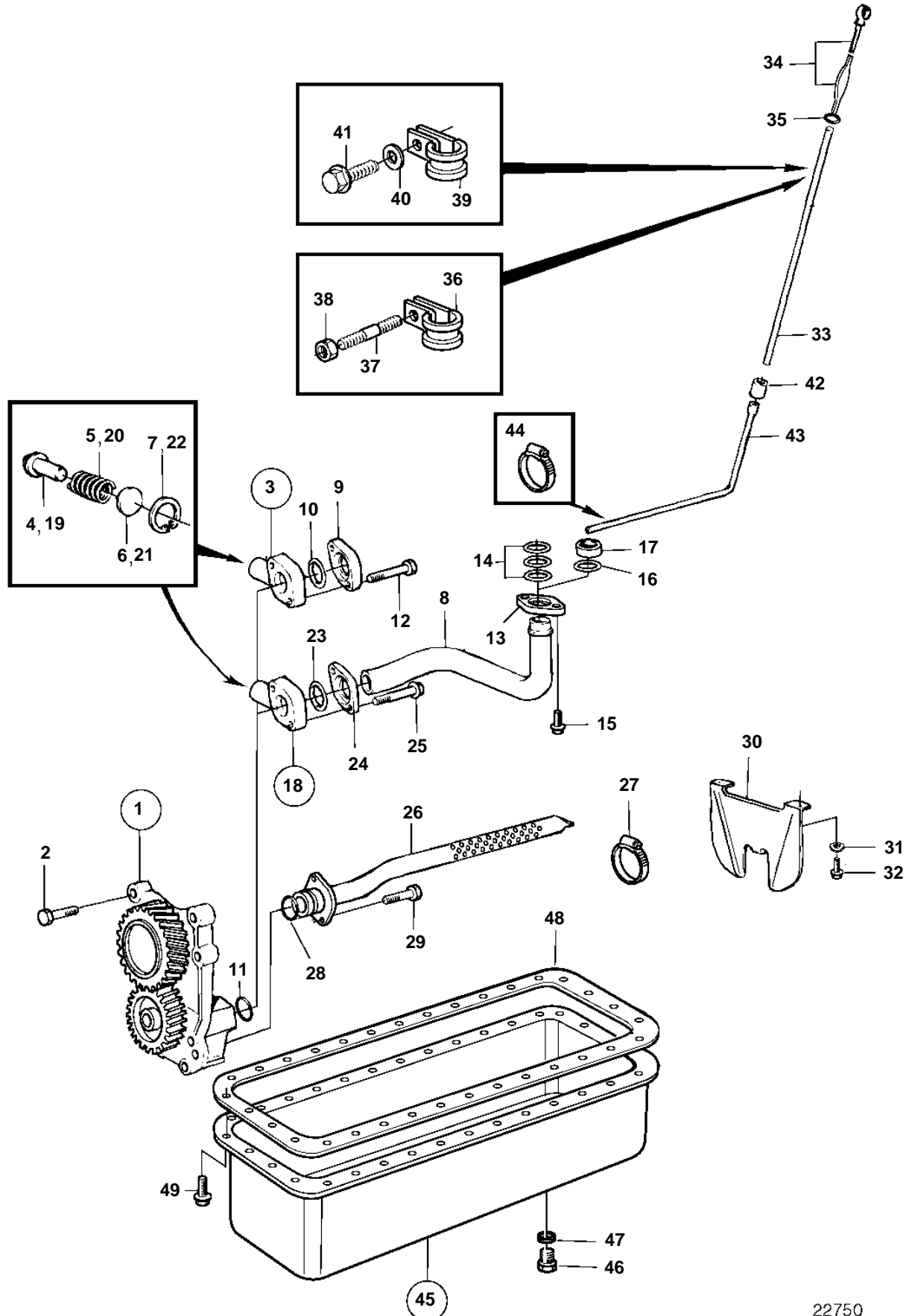


TMD41L-A, TAMD41P-A, TAMD41L-A, TAMD41M-A, TAMD41H-A, TAMD41H-B, D41L-A, AD41P-A, AD41L-A



22750

TMD41L-A, TAMD41P-A, TAMD41L-A, TAMD41M-A, TAMD41H-A, TAMD41H-B, D41L-A, AD41P-A, AD41L-A

REF	PART NO.	QTY	DESCRIPTION	SEE SEC.	NOTES
1	860721	1	Oil pump		
				528	
2	948217	4	Flange screw		
3		1	Reducing valve		REPL BY 3581308
4	471115	1	· Reducing valve		
5	1542257	1	· Spring		
6	948343	1	· Washer		
7	914506	1	· Lock ring		
8	860821	1	Tube		
9		1	Flange		TH=15mm, REPL BY 3581206
10	1545271	1	Sealing ring		
11	469482	1	O-ring		
12	965184	2	Screw		L=100mm
13	1542248	1	Flange		
14		3	Sealing ring		EARLY TYPE. Earlier production with 3 gaskets have been replaced by 1 ea gasket 980936 plus 1 ea gasket 471956.
15	946173	2	Flange screw		
16	976039	1	O-ring		LATE TYPE
17	471956	1	Sealing ring		LATE TYPE
18	3581308	1	Reducing valve		
			Bulletin 44-32	44-32-EN	Reduction Valve D31, 41, 42
			Bulletin 44-32A	44-32A-EN	Reduction Valve D31, 41, 42
19	471115	1	· Reducing valve		
20	1542257	1	· Spring		
21	948343	1	· Washer		
22	914506	1	· Lock ring		
23	976039	1	O-ring		
24	3581206	1	Flange		TH=8mm
25	965183	1	Flange screw		L=90mm
26	861064	1	Suction pipe		
27	943472	1	Hose clamp		
28	469483	2	Sealing ring		
29	965217	2	Flange screw		
30	860999	1	Baffle plate		
31	942385	2	Disc spring		
32	946440	2	Flange screw		
33	861100	1	Tube		
34	861087	1	Oil dipstick		
35	960155	1	O-ring		
36	949746	1	Clamp		EARLY TYPE
37	984130	1	Stud		EARLY TYPE
38	945408	1	Flange nut		EARLY TYPE
39	949746	1	Clamp		LATE TYPE
40	955893	1	Washer		LATE TYPE
41	948746	1	Flange screw		LATE TYPE
42	843533	1	Rubber hose		
43	861083	1	Suction pipe		
44	943469	1	Clamp		
45	861151	1	Oil pan		
46	18818	1	Gasket		EARLY TYPE
47	948187	1	Plug		EARLY TYPE
48	861251	1	Gasket		
49	946440	32	Flange screw		